

LSI® SAS 9206-16e
PCI Express® to 6Gb/s Serial Attached SCSI (SAS)
Host Bus Adapter
User Guide

Version 1.5
October 2014

DB15-000923-05

For a comprehensive list of changes to this document, see the [Revision History](#).

Corporate Headquarters	Email	Website
San Jose, CA 800-372-2447	globalsupport.pdl@avagotech.com	www.lsi.com

Avago Technologies, the A logo, LSI, Storage by LSI, and Fusion-MPT are trademarks of Avago Technologies in the United States and other countries. All other brand and product names may be trademarks of their respective companies.

Data subject to change. Copyright © 2012–2014 Avago Technologies. All Rights Reserved.

Table of Contents

1 Overview	4
2 HBA Features	4
3 Functional Descriptions	4
3.1 PCI Express Host Interface	4
3.2 SAS-2 Interface	5
4 Operating System Support	5
5 LSI SAS 9206-16e HBA Characteristics	5
5.1 Flash	5
5.2 LED	5
5.3 Connectors	5
5.4 Physical Characteristics	6
5.5 Power Requirements	6
5.6 Thermal and Atmospheric Limits	6
6 LSI SAS 9206-16e HBA Certifications and Safety Characteristics	7
7 Hardware Installation	7
8 Technical Support	8
9 Revision History	9
9.1 Version 1.5, October 2014	9
9.2 Version 1.4, May 2013	9
9.3 Version 1.3, January 2013	9
9.4 Version 1.2, November 2012	9
9.5 Version 1.1, July 2012	9
9.6 Version 1.0, February 2012	9

LSI® SAS 9206-16e PCI Express® to 6Gb/s Serial Attached SCSI (SAS) Host Bus Adapter User Guide

1 Overview

The LSI® SAS 9206-16e PCI Express® (PCIe®)-to-Serial Attached SCSI (SAS) host bus adapter (HBA), referred to as the LSI SAS 9206-16e HBA, provides high-performance external storage connectivity for servers and workstations. The LSI SAS 9206-16e HBA provides sixteen lanes of 6Gb/s SAS storage connectivity and is matched with eight lanes of PCIe 3.0 8Gb/s host connectivity. The low-profile design of the SAS HBA includes a full-height bracket and low-profile mounting bracket that creates a universal fit for any server. The LSI SAS 9206-16e HBA is based on the Fusion-MPT™ architected LSI SAS 2308 controller that integrates the latest enhancements in PCIe 3.0 technology and 6Gb/s SAS technology.

The LSI SAS 9206-16e HBA has onboard Flash memory for the firmware and BIOS.

2 HBA Features

This section lists the LSI SAS 9206-16e HBA features.

- Implements two LSI SAS 2308 eight-port 6Gb/s to PCIe 3.0 controllers
- Supports 8-lanes, full-duplex PCIe 3.0 performance
- Supports sixteen external 6Gb/s SATA+SAS ports
- Supports SAS link rates of 1.5Gb/s, 3.0Gb/s, and 6.0Gb/s
- Provides four x4 external mini-SAS HD connectors (SFF-8644)
- Supports active copper cable, passive copper cable, and optical cable
- Supports up to 1024 SATA or SAS end devices
- Offered with a full-height bracket and low-profile vented bracket
- Provides two heartbeat LEDs

3 Functional Descriptions

3.1 PCI Express Host Interface

PCIe is a high-speed standard local bus for point-to-point interfacing of I/O components to the processor and the memory subsystems in high-end computers and servers. The LSI SAS 2308 controller chips contain the PCIe functionality for the LSI SAS 9206-16e HBA. The LSI SAS 2308 controller chips connect to the PCIe bus and generates timing and protocol in compliance with the PCIe specifications.

The LSI SAS 9206-16e HBA supports eight-lane PCIe performance up to 64Gb/s single direction and 128Gb/s dual direction.

3.2 SAS-2 Interface

The LSI SAS 2308 controller chip contains the SATA + SAS functionality for the LSI SAS 9206-16e HBA. The following table shows the LSI SAS 9206-16e HBA 6Gb/s SAS performance.

Table 1 6Gb/s SAS Bandwidths

Half Duplex	Full Duplex
Narrow port (one lane), 600MB/s	Narrow port (one lane), 1200MB/s
Wide port (four lanes), 2400MB/s	Wide port (four lanes), 4800MB/s

4 Operating System Support

The LSI SAS 9206-16e HBA supports all major operating systems: Windows®, Linux® Red Hat®, Linux SUSE® Enterprise Server (SLES), Solaris™, VMware®, and FreeBSD®. Refer to <http://go.lsi.com/hbas> for details on the software versions and device driver support.

NOTE The LSI SAS 9206-16e HBA supports Oracle® Solaris 10, which provides a built-in driver, so installation of an LSI driver is not required. For more information on the Oracle Solaris 10 driver and installation, sign in at the following Oracle link.

<https://support.oracle.com/>

Contact Oracle support for Oracle driver or software support.

5 LSI SAS 9206-16e HBA Characteristics

5.1 Flash

The LSI SAS 9206-16e HBA provides two 4 M x 16-bit Flash ROMs for storing the firmware and the BIOS.

5.2 LED

The two LSI SAS 9206-16e HBA heartbeat LEDs, CR4B1 and CR5B1, blink green to indicate that the HBA is capable of general activity.

5.3 Connectors

This section describes the different connectors on the LSI SAS 9206-16e HBA. See [Figure 1](#) for connector locations.

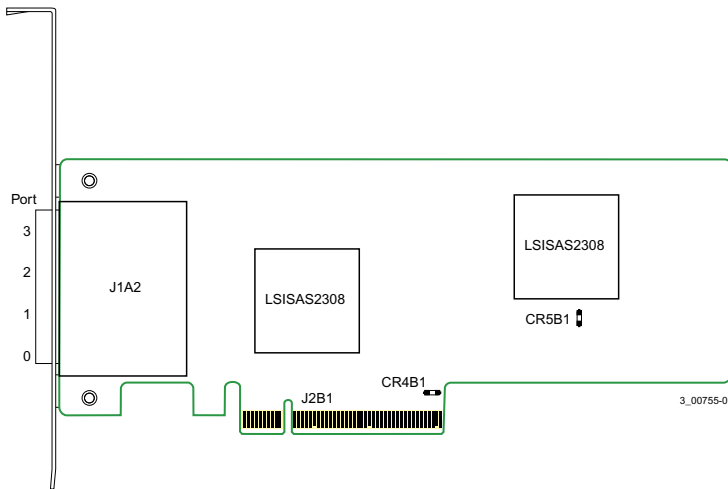
PCIe Connector (J2B1). The LSI SAS 9206-16e HBA supports a x8 interface. The PCIe host interface connection is through the edge connector (J2B1) which provides connections on both the top and bottom of the board. The signal definitions and pin numbers conform to the PCIe specification.

SAS Connectors (J1A2). The LSI SAS 9206-16e HBA supports SAS/SATA connections through J1A2 Port 0, Port 1, Port 2, and Port 3, which are SFF-8644 mini-SAS HD, external connectors.

5.4 Physical Characteristics

The LSI SAS 9206-16e HBA is a 6.6-in. x 2.7-in., low-profile board. The component height on the top and bottom of the LSI SAS 9206-16e HBA is in accordance with the PCIe specification. The following figure shows the board layout.

Figure 1 LSI SAS 9206-16e HBA Board Layout



- J2B1: PCIe x8-lane board edge connector
- J1A2: SFF-8644 mini-SAS HD, external connectors
- CR4B1 and CR5B1: Heartbeat LEDs

5.5 Power Requirements

The maximum power requirements for the LSI SAS 9206-16e HBA under normal operation are as follows:

- PCIe 3.3 V = 0.83 A
- PCIe 12.0 V = 1.92 A
- Passive cable, nominal = 25.8 W

5.6 Thermal and Atmospheric Limits

The atmospheric limits for the LSI SAS 9206-16e HBA are as follows:

- Temperature range: 0 °C to 55 °C (32 °F to 131 °F) (dry bulb)
- Relative humidity range: 5 percent to 90 percent noncondensing
- Maximum dew point temperature: 32 °C (89.6 °F)
- Minimum airflow:
 - 100 linear feet per minute at 35 °C (95 °F) bay inlet temperature
 - 150 linear feet per minute at 45 °C (113 °F) bay inlet temperature
 - 200 linear feet per minute at 55 °C (131 °F) bay inlet temperature

NOTE

LSI developed airflow limits in a flow tube with ideal airflow. Your server model might require different limits.

The following limits define the storage and transit environment for the LSI SAS 9206-16e HBA:

- Temperature range: –45 °C to +105 °C (–49 °F to +221 °F) (dry bulb)
- Relative humidity range: 5 percent to 90 percent noncondensing

6 LSI SAS 9206-16e HBA Certifications and Safety Characteristics

The LSI SAS 9206-16e HBAs meets or exceeds the requirements of UL flammability rating 94V-0. Each bare board is marked with the supplier's name or trademark, type, and UL flammability rating. Because these boards are installed in a PCIe bus slot, all voltages are less than the SELV 42.4-V limit.

The design and implementation of the LSI SAS 9206-16e HBA minimizes electromagnetic emissions, susceptibility to radio frequency energy, and the effects of electrostatic discharge.

The LSI SAS 9206-16e HBA meets the following integrated electromagnetic interference (EMI) compliance labels:

- CE mark
- CISPR Class B
- C-Tick mark
- Canadian Compliance Statement
- FCC Class B, marked with the FCC Self-Certification logo
- Japan VCCI
- Korean KCC
- Taiwan BSMI

The LSI SAS 9206-16e HBA meets the following environmental directives:

- RoHS
- WEEE

7 Hardware Installation

The installation instructions for the LSI SAS 9206-16e HBA follow.

1. **Unpack the HBA, and inspect it for damage.** Unpack the HBA in a static-free environment. Remove the HBA from the antistatic bag, and carefully inspect it for damage. If you notice any damage contact LSI or your reseller support representative.

ATTENTION Make a backup of your data before changing your system configuration to avoid the risk of data loss.

2. **Prepare the computer.** Turn off the computer, and disconnect the power cord from the rear of the power supply.

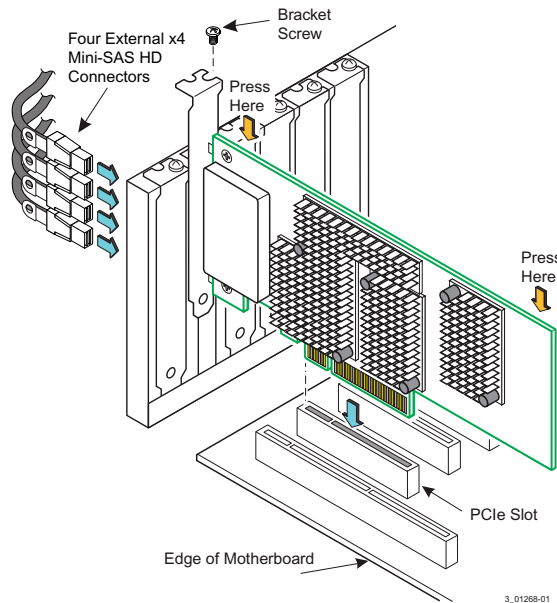
CAUTION Disconnect the computer from the power supply and from any networks before you install the HBA to avoid the risk of damaging the system or electrical shock.

3. **Remove the cover from the chassis.**
4. **Replace the mounting bracket (system dependent).** If required for your system, replace the full-height mounting bracket that ships on the LSI SAS 9206-16e HBA with the low-profile bracket supplied. Save and reuse the two screws that attach the long bracket to attach the short bracket.

5. **Insert the HBA in an available PCIe slot.** Locate an empty PCIe slot. Remove the blank bracket panel on the rear of the computer that aligns with the empty PCIe slot. Save the bracket screw, if applicable.

Align the HBA to a PCIe slot. Press down gently, but firmly, to correctly seat the HBA in the slot. The following figure shows how to insert the HBA in a PCIe slot.

Figure 2 Installing an LSI SAS 9206-16e HBA in a PCIe Slot



NOTE The shape, size, and locations of components on your HBA and its bracket might vary from this illustration. The LSI SAS 9206-16e HBA requires a x8 PCIe slot.

6. **Secure the HBA bracket to the system's chassis.** Install the bracket screw, if applicable, or engage the system retention mechanism to secure the HBA to the system's chassis.
7. **Connect SAS cables between the HBA and the SAS enclosure that contains SATA or SAS devices.** The preceding figure shows the locations of the HBA connectors.
The LSI SAS 9206-16e HBA has four external x4 mini-SAS HD connectors. For external connections, use a cable with an external mini-SAS HD connector (SFF-8644) on one end (to connect to the HBA) and the appropriate connector to attach to the SAS or SATA devices on the other end.
8. **Replace the cover and any power cords, and power up the system.** Replace the chassis's cover, reconnect any power cords, and reconnect any network cables. Turn on the power.

The hardware installation of your LSI SAS 9206-16e HBA is complete.

8 Technical Support

For assistance with installing, configuring, or running the LSI SAS 9206-16e HBA, contact Technical Support:

E-mail: globalsupport.pdl@avagotech.com

Web Site: www.lsi.com/support/

9 Revision History

9.1 Version 1.5, October 2014

Made the following changes:

- Updated support information.
- Converted the book to the new template.

9.2 Version 1.4, May 2013

Made the following change:

- Updated [Section 5.5, Power Requirements](#).

9.3 Version 1.3, January 2013

Made the following change:

- Updated the minimum airflow requirements in [Section 5.6, Thermal and Atmospheric Limits](#).

9.4 Version 1.2, November 2012

Made the following change:

- Updated [Figure 2](#).

9.5 Version 1.1, July 2012

Made the following change:

- Updated [Section 5.5, Power Requirements](#).

9.6 Version 1.0, February 2012

Initial release of the document.

AVAGO
TECHNOLOGIES

STORAGE
BY **LSI**™