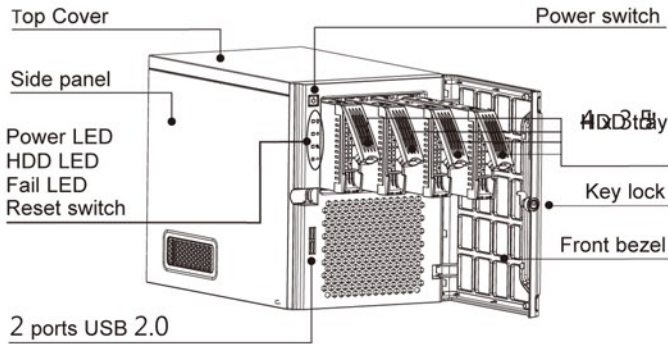
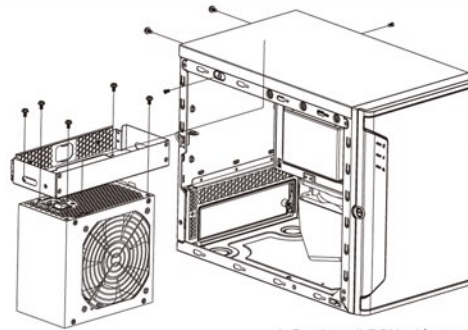


Major Components

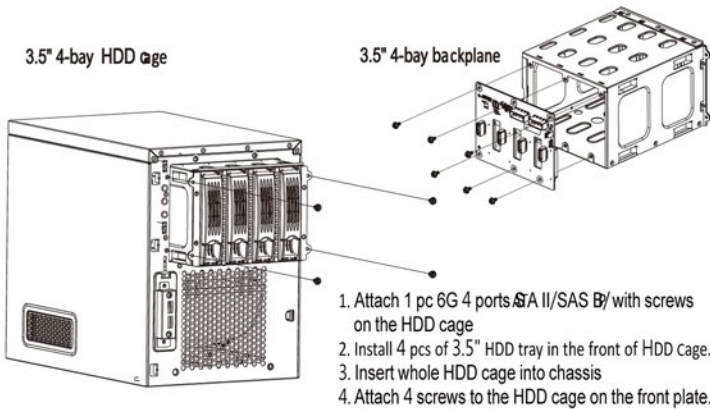


Step 4: PSU & PSU bracket installation



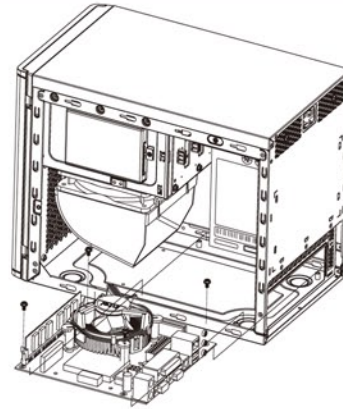
1. Pre-install PSU with 4pcs screws on the PSU bracket
2. Pre-install cable grounding with 1pc screw on the PSU bracket
3. Build PSU modular into the top-rear corner of chassis
4. Attach screws to fix the PSU modular on both sides & rear side

Step 1: Backplane & HDD cage installation



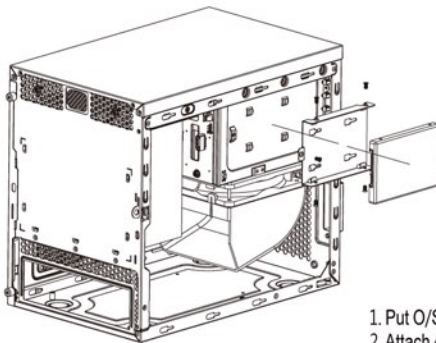
1. Attach 1 pc 6G 4 ports SATA II/SAS B/ with screws on the HDD cage
2. Install 4 pcs of 3.5" HDD tray in the front of HDD cage.
3. Insert whole HDD cage into chassis
4. Attach 4 screws to the HDD cage on the front plate.

Step 5: Mini-ITX form factor installation



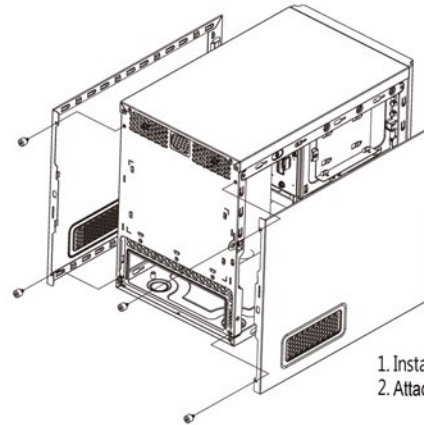
1. Appliance new generation CPU
2. Attach screws to fix M/B on both sides

Step 2: 2 pcs 2.5" HDD bracket installation



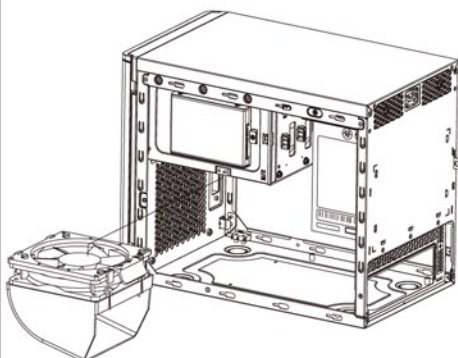
1. Put O/S or backup 2.5" HDD on the HDD bracket
2. Attach 4 screws to fix HDD on the two sides.
3. Attach 1 screw to fix HDD bracket

Step 6: Side cover installation



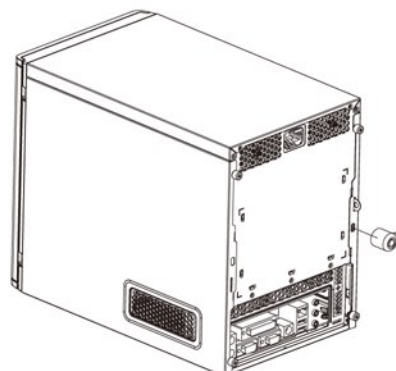
1. Install both side panel on the both sides
2. Attach 2pcs screws each on the rear window

Step 3: Silent cooling fan installation



1. Low noise PWM fan
2. Build air duct dedicated to M/B
3. Toolless design, easy assemble & Disassemble

Security lock



1. Kingston lock & Padlock