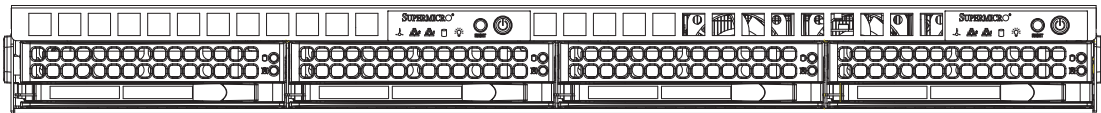


SUPERO®

SUPERSERVER 6016TT-TF
SUPERSERVER 6016TT-IBXF
SUPERSERVER 6016TT-IBQF



USER'S MANUAL

Revision 1.0b

The information in this User's Manual has been carefully reviewed and is believed to be accurate. The vendor assumes no responsibility for any inaccuracies that may be contained in this document, makes no commitment to update or to keep current the information in this manual, or to notify any person or organization of the updates. **Please Note: For the most up-to-date version of this manual, please see our web site at www.supermicro.com.**

Super Micro Computer, Inc. ("Supermicro") reserves the right to make changes to the product described in this manual at any time and without notice. This product, including software and documentation, is the property of Supermicro and/or its licensors, and is supplied only under a license. Any use or reproduction of this product is not allowed, except as expressly permitted by the terms of said license.

IN NO EVENT WILL SUPERMICRO BE LIABLE FOR DIRECT, INDIRECT, SPECIAL, INCIDENTAL, SPECULATIVE OR CONSEQUENTIAL DAMAGES ARISING FROM THE USE OR INABILITY TO USE THIS PRODUCT OR DOCUMENTATION, EVEN IF ADVISED OF THE POSSIBILITY OF SUCH DAMAGES. IN PARTICULAR, SUPERMICRO SHALL NOT HAVE LIABILITY FOR ANY HARDWARE, SOFTWARE, OR DATA STORED OR USED WITH THE PRODUCT, INCLUDING THE COSTS OF REPAIRING, REPLACING, INTEGRATING, INSTALLING OR RECOVERING SUCH HARDWARE, SOFTWARE, OR DATA.

Any disputes arising between manufacturer and customer shall be governed by the laws of Santa Clara County in the State of California, USA. The State of California, County of Santa Clara shall be the exclusive venue for the resolution of any such disputes. Super Micro's total liability for all claims will not exceed the price paid for the hardware product.

FCC Statement: This equipment has been tested and found to comply with the limits for a Class A digital device pursuant to Part 15 of the FCC Rules. These limits are designed to provide reasonable protection against harmful interference when the equipment is operated in a commercial environment. This equipment generates, uses, and can radiate radio frequency energy and, if not installed and used in accordance with the manufacturer's instruction manual, may cause harmful interference with radio communications. Operation of this equipment in a residential area is likely to cause harmful interference, in which case you will be required to correct the interference at your own expense.

California Best Management Practices Regulations for Perchlorate Materials: This Perchlorate warning applies only to products containing CR (Manganese Dioxide) Lithium coin cells. "Perchlorate Material-special handling may apply. See www.dtsc.ca.gov/hazardouswaste/perchlorate"

WARNING: Handling of lead solder materials used in this product may expose you to lead, a chemical known to the State of California to cause birth defects and other reproductive harm.

Manual Revision 1.0b
Release Date: June 2, 2010

Unless you request and receive written permission from Super Micro Computer, Inc., you may not copy any part of this document.

Information in this document is subject to change without notice. Other products and companies referred to herein are trademarks or registered trademarks of their respective companies or mark holders.

Copyright © 2010 by Super Micro Computer, Inc.
All rights reserved.

Printed in the United States of America

Preface

About This Manual

This manual is written for professional system integrators and PC technicians. It provides information for the installation and use of the SuperServer 6016TT-TF/6016TT-IBXF/6016TT-IBQF. Installation and maintenance should be performed by experienced technicians only.

The SuperServer 6016TT-TF/6016TT-IBXF/6016TT-IBQF is a 1U Twin (two serverboards in a 1U chassis) rackmount server based on the SC808T-1200B chassis and two Super X8DTT-F/X8DTT-IBXF/X8DTT-IBQF serverboards.

Manual Organization

Chapter 1: Introduction

The first chapter provides a checklist of the main components included with the server system and describes the main features of the Super X8DTT-F/X8DTT-IBXF/X8DTT-IBQF serverboard and the SC808T-1200B chassis.

Chapter 2: Server Installation

This chapter describes the steps necessary to install the SuperServer 6016TT-TF/6016TT-IBXF/6016TT-IBQF into a rack and check out the server configuration prior to powering up the system. If your server was ordered without the processor and memory components, this chapter will refer you to the appropriate sections of the manual for their installation.

Chapter 3: System Interface

Refer to this chapter for details on the system interface, which includes the functions and information provided by the control panel on the chassis as well as other LEDs located throughout the system.

Chapter 4: System Safety

You should thoroughly familiarize yourself with this chapter for a general overview of safety precautions that should be followed when installing and servicing the SuperServer 6016TT-TF/6016TT-IBXF/6016TT-IBQF.

Chapter 5: Advanced Serverboard Setup

Chapter 5 provides detailed information on the X8DTT-F/X8DTT-IBXF/X8DTT-IBQF serverboard, including the locations and functions of connectors, headers and jumpers. Refer to this chapter when adding or removing processors or main memory and when reconfiguring the serverboard.

Chapter 6: Advanced Chassis Setup

Refer to Chapter 6 for detailed information on the SC808T-1200B 1U rackmount server chassis. You should follow the procedures given in this chapter when installing, removing or reconfiguring SAS/SATA or peripheral drives and when replacing system power supply units and cooling fans.

Chapter 7: BIOS

The BIOS chapter includes an introduction to BIOS and provides detailed information on running the CMOS Setup Utility.

Appendix A: BIOS Error Beep Codes

Appendix B: Installing the Windows OS

Appendix C: System Specifications

Notes

Table of Contents

Chapter 1 Introduction

| | | |
|-----|---------------------------------|-----|
| 1-1 | Overview | 1-1 |
| 1-2 | Serverboard Features | 1-2 |
| | Processors | 1-2 |
| | Memory | 1-2 |
| | Serial ATA..... | 1-2 |
| | PCI Expansion Slots | 1-2 |
| | Ethernet Ports | 1-2 |
| | Onboard Controllers/Ports | 1-3 |
| | Graphics Controller | 1-3 |
| | Other Features | 1-3 |
| | InfiniBand | 1-3 |
| 1-3 | Server Chassis Features | 1-5 |
| | System Power | 1-5 |
| | SATA Subsystem..... | 1-5 |
| | Control Panel | 1-5 |
| | Rear I/O Panel | 1-5 |
| | Cooling System | 1-5 |
| 1-4 | 1U Twin: System Notes..... | 1-6 |
| | System Power | 1-6 |
| | SATA Backplane/Drives..... | 1-6 |
| 1-5 | Contacting Supermicro..... | 1-7 |

Chapter 2 Server Installation

| | | |
|-----|---|-----|
| 2-1 | Overview | 2-1 |
| 2-2 | Unpacking the System | 2-1 |
| 2-3 | Preparing for Setup..... | 2-1 |
| | Choosing a Setup Location..... | 2-1 |
| | Rack Precautions | 2-2 |
| | Server Precautions..... | 2-2 |
| | Rack Mounting Considerations | 2-3 |
| | Ambient Operating Temperature | 2-3 |
| | Reduced Airflow | 2-3 |
| | Mechanical Loading | 2-3 |
| | Circuit Overloading..... | 2-3 |
| | Reliable Ground | 2-3 |
| 2-4 | Installing the System into a Rack | 2-4 |

| | |
|--|-----|
| Identifying the Sections of the Rack Rails | 2-4 |
| Installing the Inner Rails | 2-4 |
| Installing the Outer Rails..... | 2-5 |
| Locking Tabs | 2-5 |
| Installing the Server into the Rack..... | 2-6 |
| Installing the Server into a Telco Rack | 2-6 |
| 2-5 Checking the Serverboard Setup..... | 2-6 |
| 2-6 Preparing to Power On | 2-8 |
| Chapter 3 System Interface | |
| 3-1 Overview | 3-1 |
| 3-2 Control Panel Buttons | 3-1 |
| Reset | 3-1 |
| Power | 3-1 |
| 3-3 Control Panel LEDs | 3-2 |
| Overheat/Fan Fail | 3-2 |
| NIC2 | 3-2 |
| NIC1 | 3-2 |
| HDD..... | 3-2 |
| Power | 3-3 |
| 3-4 SATA Drive Carrier LEDs | 3-3 |
| Chapter 4 System Safety | |
| 4-1 Electrical Safety Precautions | 4-1 |
| 4-2 General Safety Precautions | 4-2 |
| 4-3 ESD Precautions..... | 4-3 |
| 4-4 Operating Precautions | 4-4 |
| Chapter 5 Advanced Serverboard Setup | |
| 5-1 Handling the Serverboard | 5-1 |
| Precautions | 5-1 |
| Unpacking | 5-2 |
| 5-2 Serverboard Installation | 5-2 |
| 5-3 Connecting Cables..... | 5-3 |
| Connecting Data Cables | 5-3 |
| Connecting Power Cables | 5-3 |
| Connecting the Control Panel..... | 5-3 |
| 5-4 I/O Ports | 5-4 |
| 5-5 Processor and Heatsink Installation..... | 5-5 |
| Installing LGA1366 Processors..... | 5-5 |
| Installing a CPU Heatsink | 5-7 |

| | | |
|------|--|------|
| | Removing the Heatsink..... | 5-8 |
| 5-6 | Installing Memory..... | 5-9 |
| 5-7 | Adding PCI Cards..... | 5-12 |
| 5-8 | Serverboard Details..... | 5-13 |
| | X8DTT-F/X8DTT-IBXF/X8DTT-IBQF Quick Reference..... | 5-14 |
| 5-9 | Connector Definitions..... | 5-15 |
| 5-10 | Jumper Settings..... | 5-19 |
| 5-11 | Onboard Indicators..... | 5-22 |
| 5-12 | Installing Additional Drivers..... | 5-23 |
| 5-13 | Configuring Supero Doctor III..... | 5-24 |

Chapter 6 Advanced Chassis Setup

| | | |
|-----|-------------------------------------|-----|
| 6-1 | Static-Sensitive Devices..... | 6-1 |
| | Precautions..... | 6-1 |
| | Unpacking..... | 6-1 |
| 6-2 | Control Panel..... | 6-2 |
| 6-3 | System Fans..... | 6-3 |
| | System Fan Failure..... | 6-3 |
| 6-4 | Drive Bay Installation/Removal..... | 6-3 |
| | Accessing the Drive Bays..... | 6-3 |
| 6-5 | Power Supply..... | 6-5 |
| | Power Supply Failure..... | 6-5 |
| | Replacing the Power Supply..... | 6-5 |

Chapter 7 BIOS

| | | |
|-----|------------------------------------|------|
| 7-1 | Introduction..... | 7-1 |
| 7-2 | Main Setup..... | 7-2 |
| 7-3 | Advanced Setup Configurations..... | 7-4 |
| 7-4 | Security Settings..... | 7-24 |
| 7-5 | Boot Configuration..... | 7-25 |
| 7-6 | Exit Options..... | 7-26 |

Appendix A BIOS Error Beep Codes

Appendix B Installing the Windows OS

Appendix C System Specifications

Chapter 1

Introduction

1-1 Overview

The SuperServer 6016TT-TF/6016TT-IBXF/6016TT-IBQF is a "1U Twin" server comprised of the SC808T-1200B 1U chassis and two (twin) X8DTT-F/X8DTT-IBXF/X8DTT-IBQF serverboards. Please refer to our web site for information on operating systems that have been certified for use with the 6016TT-TF/6016TT-IBXF/6016TT-IBQF (www.supermicro.com).

In addition to the serverboard and chassis, various hardware components may have been included with the 6016TT-TF/6016TT-IBXF/6016TT-IBQF, as listed below.

- Four (4) CPU heatsinks (SNK-P0037)
- SATA Accessories:
 - Four (4) SATA hard drive carriers [MCP-220-00001-03(01)]
 - One (1) internal SATA backplane (BPN-SAS-808)
 - One (1) SATA cable set (CBL-0201L)
- Two (2) PCI Express x16 riser cards (RSC-R1U-E16R)
- Six (6) 4-cm high-performance fans (FAN-0085L4)
- Rackmount hardware with screws (CSE-PT51L):
 - Two (2) rack rail assemblies
 - Six (6) brackets for mounting the rack rails in a rack/telco rack
- One (1) CD containing drivers and utilities
- SuperServer 6016TT-TF/6016TT-IBXF/6016TT-IBQF User's Manual

1-2 Serverboard Features

At the heart of the SuperServer 6016TT-TF/6016TT-IBXF/6016TT-IBQF lies two X8DTT-F/X8DTT-IBXF/X8DTT-IBQF dual processor serverboards, which are based on Intel's 5520 (North Bridge) + ICH10R (South Bridge) chipset. (For OEM only, the Intel 5500 is also available for the North Bridge portion of the chipset.) Below are the main features of the serverboards. Note that the features on each board are doubled for the server, which includes two nodes.

Processors

Each X8DTT-F/X8DTT-IBXF/X8DTT-IBQF supports two Intel® 5600/5500 series processors in LGA1366 sockets. Please refer to our web site for a complete listing of supported processors (www.supermicro.com).

Memory

Each X8DTT-F/X8DTT-IBXF/X8DTT-IBQF has six 240-pin DIMM sockets that can support up to 96 GB of registered ECC DDR3-1333/1066/800 SDRAM (192 GB for the system) or 48 GB of unbuffered ECC/non-ECC DDR3-1333/1066/800 SDRAM (96 GB for the system). See Chapter 5 Section 6 for more details on installing memory into the system.

Serial ATA

The South Bridge (ICH10R) of the chipset includes a Serial ATA controller for six Gb/s SATA drives. The hot-swappable SATA drives are connected to a backplane that provides power, bus termination and configuration settings. RAID 0, 1, 10 and 5 are supported. Refer to the support area of our web site for procedures on setting up RAID on your system.

PCI Expansion Slots

Each X8DTT-F/X8DTT-IBXF/X8DTT-IBQF board has one PCI Express 2.0 x16 slot, so two PCI Express 2.0 x16 slots are provided in the server. In the 6016TT-TF/6016TT-IBXF/6016TT-IBQF server configuration, riser cards have been pre-installed to support two low-profile add-on cards.

Ethernet Ports

An Intel® network controller is integrated into each of the serverboards to support two Gigabit LAN ports (100/1000Base-T/1000BaseTX, RJ45 output).

Onboard Controllers/Ports

Onboard I/O backpanel ports on each serverboard include one COM port, a VGA port, two USB ports, a dedicated IPMI LAN port and two Gigabit LAN (NIC) ports. An InfiniBand port is also included on the X8DTT-IBXF/X8DTT-IBQF serverboards (the 6016TT-IBXF and 6016TT-IBQF only). There are two sets of I/O ports included in the server (one set for each serverboard).

Graphics Controller

The X8DTT-F/X8DTT-IBXF/X8DTT-IBQF features an integrated Matrox G200eW graphics chip, which includes 8 MB of DDR2 memory.

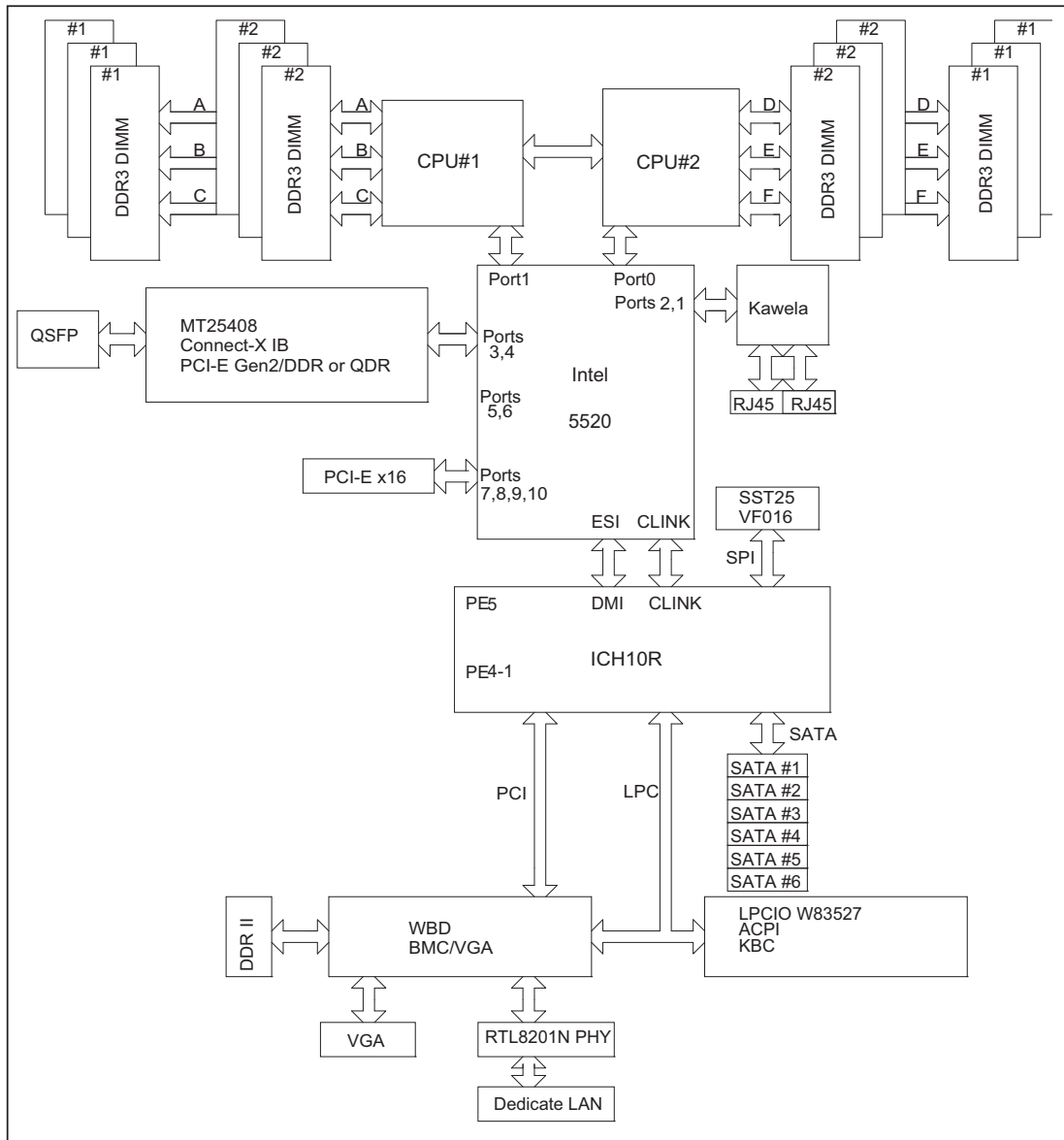
Other Features

Other onboard features that promote system health include voltage monitors, auto-switching voltage regulators, chassis and CPU overheat sensors, virus protection and BIOS rescue.

InfiniBand

Both the 6016TT-IBXF and 6016TT-IBQF include an InfiniBand port at DDR (dual data rate) and QDR (quad data rate) speeds, respectively. InfiniBand is a scalable serial communications link intended for connecting processors with high-speed peripherals. (InfiniBand requires a QSFP connector.)

| Model Variations (Differences between X8DTT models) | | | |
|--|------------------|--------------------|---------------------|
| | 6016TT-TF | 6016TT-IBXF | 6016TT -IBQF |
| InfiniBand Connect | No | Yes | Yes |
| DDR IB | No | Yes | No |
| QDR IB | No | No | Yes |



**Figure 1-1. Intel 5520/ICH10R Chipset:
System Block Diagram**

Note: This is a general block diagram. Please see Chapter 5 for details.

1-3 Server Chassis Features

The following is a general outline of the main features of the SC808T-1200B 1U chassis. Details on the chassis can be found in Chapter 6.

System Power

When configured as a SuperServer 6016TT-TF/6016TT-IBXF/6016TT-IBQF, the SC808T-1200B includes a single high-efficiency (Gold Level) 1200W cold-swap power supply, which provides the power to both serverboards housed in the chassis.

SATA Subsystem

The SC808T-1200B chassis was designed to support four SATA hard drives, which are hot-swappable units.

Control Panel

The SC808T-1200B features two independent control panels associated with each node (serverboard). Each control panel has LEDs to indicate power on, network activity, hard disk drive activity and system overheat conditions. Each control panel also includes a main power button and a system reset button.

Rear I/O Panel

The SC808T-1200B is a 1U rackmount chassis. Its I/O panel provides a slots for two low-profile PCI-E x16 expansion cards, two COM ports, four USB ports, two VGA ports and four Gb Ethernet ports. See Chapter 6 for details.

Cooling System

The SC808T-1200B chassis has an innovative cooling design that features an air shroud and three sets of 4-cm counter-rotating fans per node (configured as six fans placed back to back in pairs). A fan speed control setting in BIOS allows fan speed to be determined by system temperature.

1-4 1U Twin: System Notes

As a 1U Twin configuration, the 6016TT-TF/6016TT-IBXF/6016TT-IBQF is a unique server system. With two nodes incorporated into a single chassis, there are several points you should keep in mind.

System Power

A single power supply is used to provide the power for both serverboards. Each serverboard however, can be shut down independently of the other with the power button on its own control panel.

Although they share a common power supply, the I²C signals used for power supply monitoring are received by the primary serverboard only. (When viewed from the front of the chassis, the serverboard on the left is referred to as the primary board and the serverboard on the right as the secondary.)

SATA Backplane/Drives

As a system, the 6016TT-TF/6016TT-IBXF/6016TT-IBQF supports the use of four SATA drives. The SATA backplane works as a single backplane divided into two sections. This means that while a single power connector is used and functions such as overheating apply to both sections together, each pair of SATA drives is logically connected to its own serverboard. Consequently, RAID setup is limited to a two-drive scheme (RAID cannot be spread across all four drives).

1-5 Contacting Supermicro

Headquarters

Address: Super Micro Computer, Inc.
980 Rock Ave.
San Jose, CA 95131 U.S.A.

Tel: +1 (408) 503-8000

Fax: +1 (408) 503-8008

Email: marketing@supermicro.com (General Information)
support@supermicro.com (Technical Support)

Web Site: www.supermicro.com

Europe

Address: Super Micro Computer B.V.
Het Sterrenbeeld 28, 5215 ML
's-Hertogenbosch, The Netherlands

Tel: +31 (0) 73-6400390

Fax: +31 (0) 73-6416525

Email: sales@supermicro.nl (General Information)
support@supermicro.nl (Technical Support)
rma@supermicro.nl (Customer Support)

Asia-Pacific

Address: Super Micro Computer, Inc.
4F, No. 232-1, Liancheng Rd.
Chung-Ho 235, Taipei County
Taiwan, R.O.C.

Tel: +886-(2) 8226-3990

Fax: +886-(2) 8226-3991

Web Site: www.supermicro.com.tw

Technical Support:

Email: support@supermicro.com.tw

Tel: 886-2-8228-1366, ext.132 or 139

Notes

Chapter 2

Server Installation

2-1 Overview

This chapter provides a quick setup checklist to get your 6016TT-TF/6016TT-IBXF/6016TT-IBQF up and running. Following these steps in the order given should enable you to have the system operational within a minimum amount of time. This quick setup assumes that your system has come to you with the processors and memory preinstalled. If your system is not already fully integrated with a serverboard, processors, system memory etc., please turn to the chapter or section noted in each step for details on installing specific components.

2-2 Unpacking the System

You should inspect the box the 6016TT-TF/6016TT-IBXF/6016TT-IBQF was shipped in and note if it was damaged in any way. If the server itself shows damage you should file a damage claim with the carrier who delivered it.

Decide on a suitable location for the rack unit that will hold the 6016TT-TF/6016TT-IBXF/6016TT-IBQF. It should be situated in a clean, dust-free area that is well ventilated. Avoid areas where heat, electrical noise and electromagnetic fields are generated. You will also need it placed near a grounded power outlet. Be sure to read the Rack and Server Precautions in the next section.

2-3 Preparing for Setup

The box the 6016TT-TF/6016TT-IBXF/6016TT-IBQF was shipped in should include two sets of rail assemblies, two rail mounting brackets and the mounting screws you will need to install the system into the rack. Follow the steps in the order given to complete the installation process in a minimum amount of time. Please read this section in its entirety before you begin the installation procedure outlined in the sections that follow.

Choosing a Setup Location

- Leave enough clearance in front of the rack to enable you to open the front door completely (~25 inches).

- Leave approximately 30 inches of clearance in the back of the rack to allow for sufficient airflow and ease in servicing.
- This product is for installation only in a Restricted Access Location (dedicated equipment rooms, service closets and the like).
- This product is not suitable for use with visual display work place devices according to §2 of the the German Ordinance for Work with Visual Display Units.



Warnings and Precautions!



Rack Precautions

- Ensure that the leveling jacks on the bottom of the rack are fully extended to the floor with the full weight of the rack resting on them.
- In single rack installation, stabilizers should be attached to the rack.
- In multiple rack installations, the racks should be coupled together.
- Always make sure the rack is stable before extending a component from the rack.
- You should extend only one component at a time - extending two or more simultaneously may cause the rack to become unstable.

Server Precautions

- Review the electrical and general safety precautions in Chapter 4.
- Determine the placement of each component in the rack *before* you install the rails.
- Install the heaviest server components on the bottom of the rack first, and then work up.
- Use a regulating uninterruptible power supply (UPS) to protect the server from power surges, voltage spikes and to keep your system operating in case of a power failure.
- Allow the hot plug SATA drives and power supply modules to cool before touching them.

- Always keep the rack's front door and all panels and components on the servers closed when not servicing to maintain proper cooling.
- Make sure all power and data cables are properly connected and not blocking the chassis airflow. See Chapter 5 for details on cable connections.

Rack Mounting Considerations

Ambient Operating Temperature

If installed in a closed or multi-unit rack assembly, the ambient operating temperature of the rack environment may be greater than the ambient temperature of the room. Therefore, consideration should be given to installing the equipment in an environment compatible with the manufacturer's maximum rated ambient temperature (T_{mra}).

Reduced Airflow

Equipment should be mounted into a rack so that the amount of airflow required for safe operation is not compromised.

Mechanical Loading

Equipment should be mounted into a rack so that a hazardous condition does not arise due to uneven mechanical loading.

Circuit Overloading

Consideration should be given to the connection of the equipment to the power supply circuitry and the effect that any possible overloading of circuits might have on overcurrent protection and power supply wiring. Appropriate consideration of equipment nameplate ratings should be used when addressing this concern.

Reliable Ground

A reliable ground must be maintained at all times. To ensure this, the rack itself should be grounded. Particular attention should be given to power supply connections other than the direct connections to the branch circuit (i.e. the use of power strips, etc.).

2-4 Installing the System into a Rack

This section provides information on installing the 6016TT-TF/6016TT-IBXF/6016TT-IBQF into a rack unit with the rack rails provided. If the system has already been mounted into a rack, you can skip ahead to Sections 2-5 and 2-6.

There are a variety of rack units on the market, which may mean the assembly procedure will differ slightly. You should also refer to the installation instructions that came with the rack unit you are using.

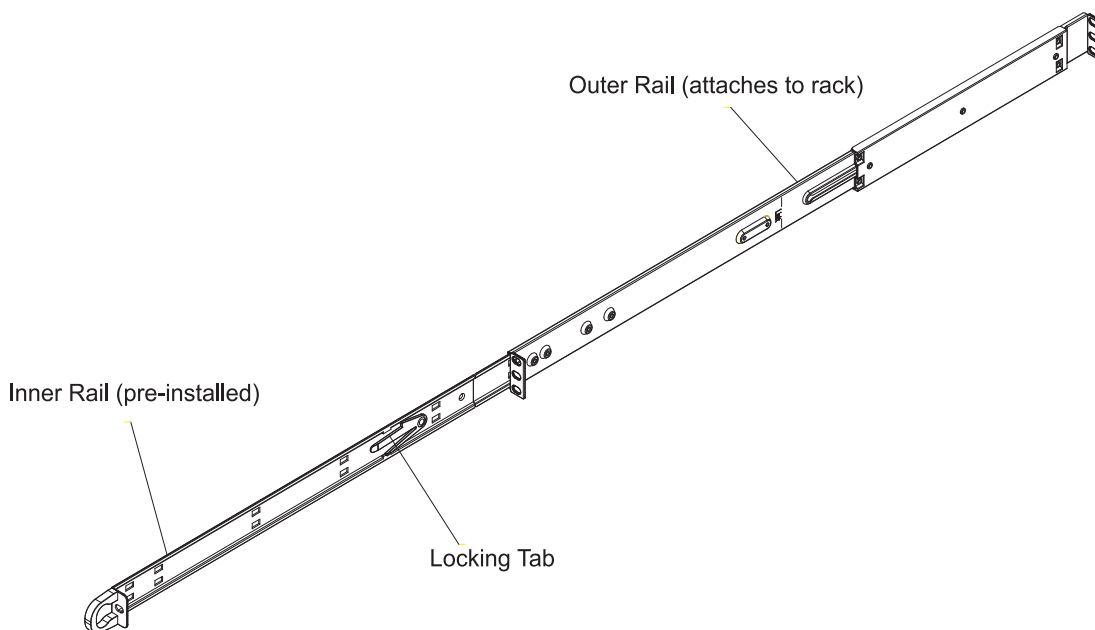
Identifying the Sections of the Rack Rails

You should have received two rack rail assemblies in the rack mounting kit. Each assembly consists of two sections: an inner fixed chassis rail that secures directly to the server chassis and an outer fixed rack rail that secures directly to the rack itself (see Figure 2-1). Two pairs of short brackets to be used on the front side of the outer rails are also included.

Installing the Inner Rails

Both the left and right side inner rails have been pre-attached to the chassis. Proceed to the next step.

**Figure 2-1. Identifying the Sections of the Rack Rails
(right side rail shown)**



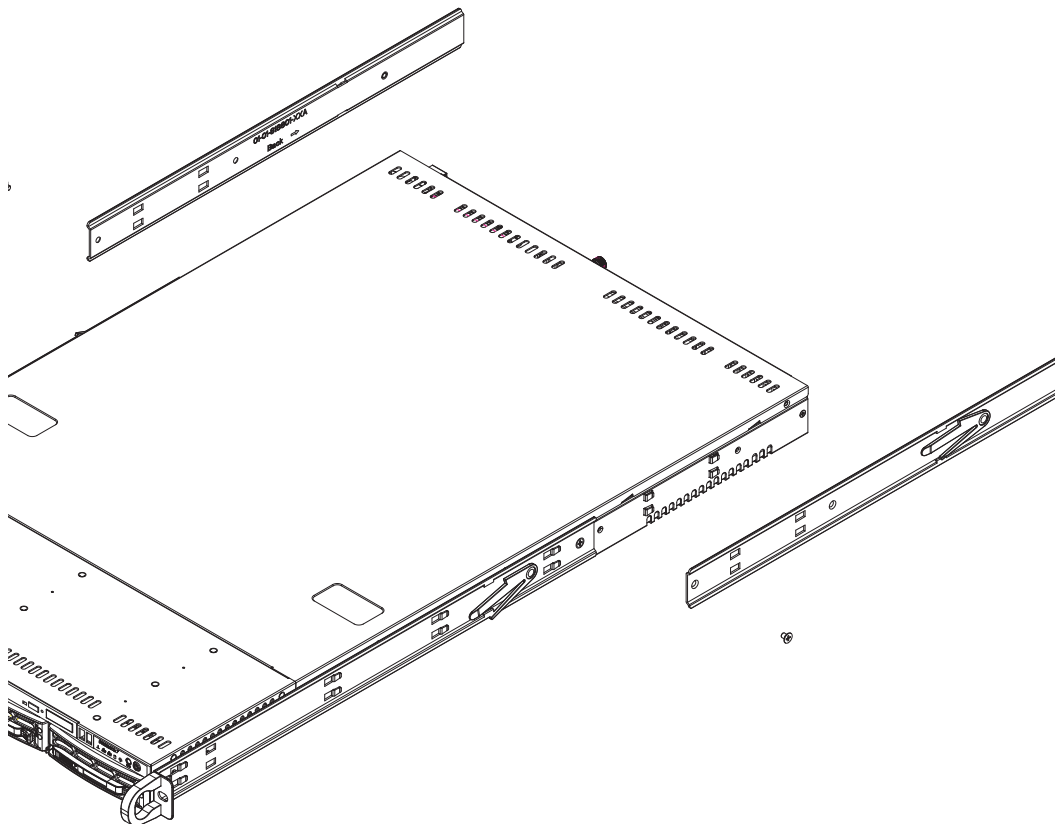
Installing the Outer Rails

Begin by measuring the distance from the front rail to the rear rail of the rack. Attach a short bracket to the front side of the right outer rail and a long bracket to the rear side of the right outer rail. Adjust both the short and long brackets to the proper distance so that the rail can fit snugly into the rack. Secure the short bracket to the front side of the outer rail with two M4 screws and the long bracket to the rear side of the outer rail with three M4 screws. Repeat these steps for the left outer rail.

Locking Tabs

Both chassis rails have a locking tab, which serves two functions. The first is to lock the server into place when installed and pushed fully into the rack, which is its normal position. Secondly, these tabs also lock the server in place when fully extended from the rack. This prevents the server from coming completely out of the rack when you pull it out for servicing.

Figure 2-2. Installing the Rack Rails



Installing the Server into the Rack

You should now have rails attached to both the chassis and the rack unit. The next step is to install the server into the rack. Do this by lining up the rear of the chassis rails with the front of the rack rails. Slide the chassis rails into the rack rails, keeping the pressure even on both sides (you may have to depress the locking tabs when inserting). See Figure 2-3.

When the server has been pushed completely into the rack, you should hear the locking tabs "click".

Installing the Server into a Telco Rack

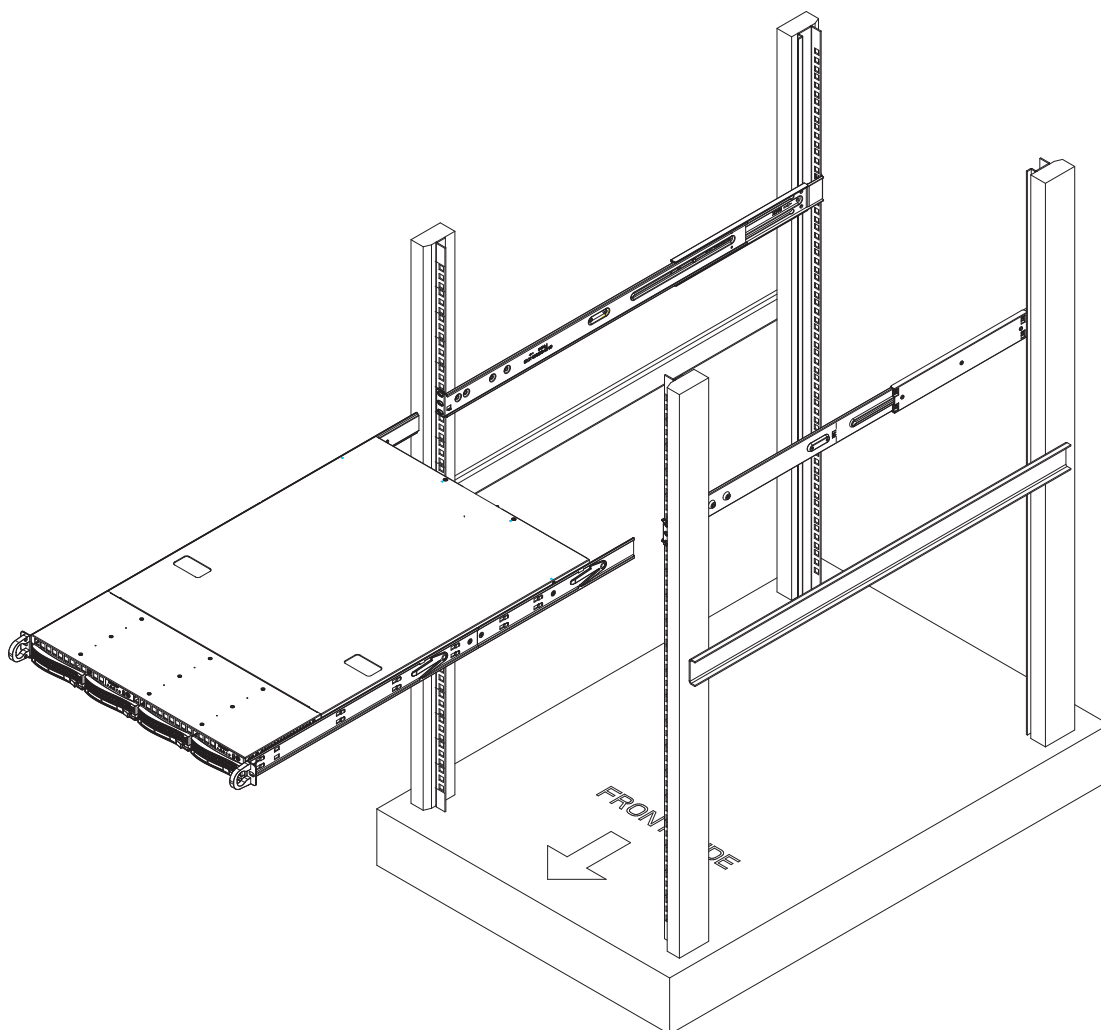
To install the SuperServer 6016TT-TF/6016TT-IBXF/6016TT-IBQF into a Telco type rack, use two L-shaped brackets on either side of the chassis (four total). First, determine how far the server will extend out the front of the rack. Larger chassis should be positioned to balance the weight between front and back. If a bezel is included on your server, remove it. Then attach the two front brackets to each side of the chassis, then the two rear brackets positioned with just enough space to accommodate the width of the rack. Finish by sliding the chassis into the rack and tightening the brackets to the rack.

2-5 Checking the Serverboard Setup

After you install the 6016TT-TF/6016TT-IBXF/6016TT-IBQF in the rack, you will need to open the top cover to make sure the serverboard is properly installed and all the connections have been made.

Accessing the Inside of the System

1. Grasp the two handles on either side and pull the system straight out until it locks (you will hear a "click").
2. Remove the four screws (two on the sides and two on the top) that secure the top cover to the chassis. Place your thumbs in the two rectangular recesses and push the cover away from you (toward the rear of the chassis) until it stops. You can then lift the top cover from the chassis to gain full access to the inside of the server (see Figure 2-4).
3. To remove the system from the rack completely, depress the locking tabs in the chassis rails (push the right-side tab down and the left-side tab up) to continue to pull the system out past the locked position.

Figure 2-3. Installing the Server into a Rack***Checking the Components and Setup***

1. You may have one or two processors already installed in each of the two serverboards. Each processor needs its own heatsink. See Chapter 5 for instructions on processor and heatsink installation.
2. Your server system may have come with system memory already installed. Make sure all DIMMs are fully seated in their slots. For details on adding system memory, refer to Chapter 5.
3. You can install two add-on cards to the system. See Chapter 5 for details on installing PCI add-on cards.
4. Make sure all power and data cables are properly connected and not blocking the chassis airflow. See Chapter 5 for details on cable connections.

2-6 Preparing to Power On

Next, you should check to make sure the peripheral drives and the SATA drives and SATA backplane have been properly installed and all connections have been made.

Checking the SATA drives

1. The SATA disk drives are accessible from the front of the server and can be installed and removed from the front of the chassis without removing the top chassis cover.
2. Depending upon your system's configuration, your system may have one or more drives already installed. If you need to install SATA drives, please refer to Chapter 6.

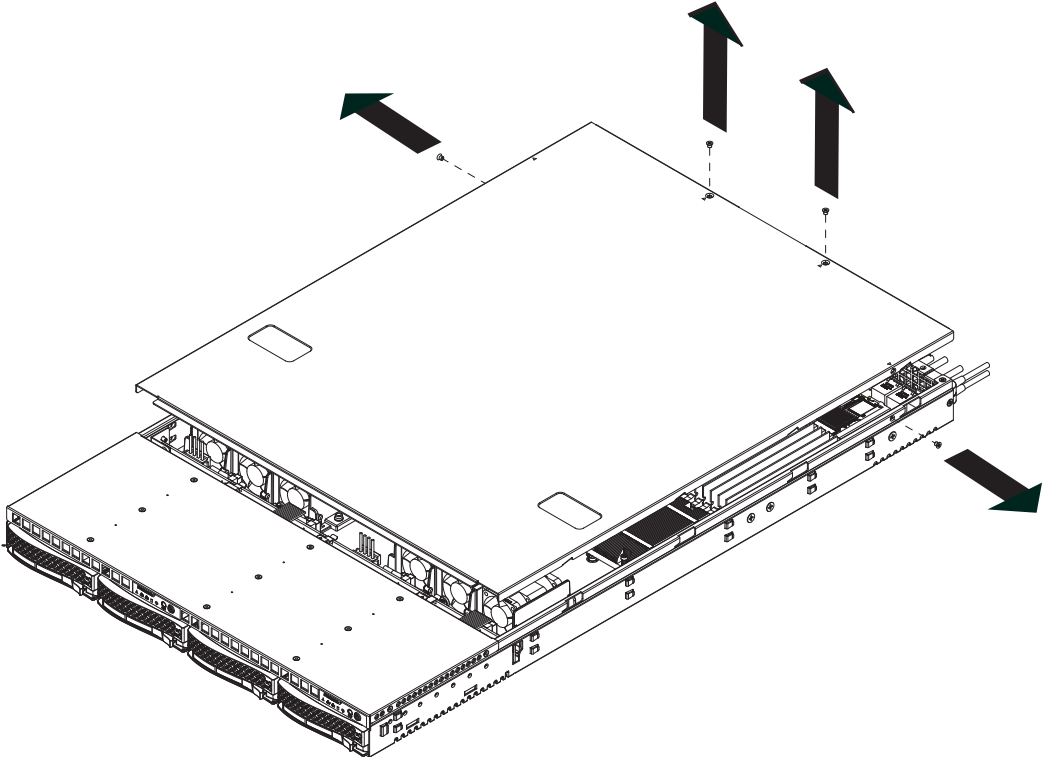
Checking the Airflow

1. Airflow is provided by an air shroud and three sets (six fans back to back) of 4-cm counter-rotating PWM fans per node [for a total of two air shrouds and six sets of fans (12 total) in the system]. The system component layout was carefully designed to direct sufficient cooling airflow to the components that generate the most heat.
2. Note that all power and data cables have been routed in such a way that they do not block the airflow generated by the fans.

Providing Power

1. Plug the power cords from the power supplies unit into a high-quality power strip that offers protection from electrical noise and power surges.
2. It is recommended that you use an uninterruptible power supply (UPS).
3. Finally, depress the power on button on the front of the chassis.

Figure 2-4. Accessing the Inside of the System



Notes

Chapter 3

System Interface

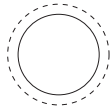
3-1 Overview

There are several LEDs on the two control panels as well as others on the SATA drive carriers to keep you constantly informed of the overall status of the system as well as the activity and health of specific components. There are also two buttons on each control panel. This chapter explains the meanings of all LED indicators and the appropriate response you may need to take. Note that the server has two control panels, one for each node in the system. This allows each node (serverboard) to be controlled independently of the other.

3-2 Control Panel Buttons

There are two push-buttons located on each control panel: a reset button and a power on/off button.

RESET



Reset

Depressing the reset button will reboot only the serverboard it is associated with.



Power

This is the main power button, which is used to apply or turn off the main system power only to the node (serverboard) it is associated with. Depressing this button removes the main power but keeps standby power supplied to the serverboard.

3-3 Control Panel LEDs

Each of the two control panels located on the front of the SC808T-1200B chassis has five LEDs. Each LED provides you with critical information related its own specific serverboard. This section explains what each LED indicates when illuminated and any corrective action you may need to take.



Overheat/Fan Fail

When this LED flashes, it indicates a fan failure. When on continuously it indicates an overheat condition, which may be caused by cables obstructing the airflow in the system or the ambient room temperature being too warm. Check the routing of the cables and make sure all fans are present and operating normally. You should also check to make sure that the chassis covers are installed. Finally, verify that the heatsinks are installed properly (see Chapter 5). This LED will remain flashing or on as long as the indicated condition exists.



NIC2

Indicates network activity on LAN2 when flashing



NIC1

Indicates network activity on LAN1 when flashing.



HDD

Channel activity for the hard disk drives. This light indicates SATA drive activity on the 6016TT-TF/6016TT-IBXF/6016TT-IBQF when flashing.



Power

Indicates power is being supplied to the system's power supply unit. This LED should normally be illuminated when the system is operating.

3-4 SATA Drive Carrier LEDs

Each SATA drive carrier has two LEDs.

- **Green:** When illuminated, the green LED on the front of the SATA drive carrier indicates drive activity. A connection to the SATA backplane enables this LED to blink on and off when that particular drive is being accessed.
- **Red:** There is no function associated with the red LED.

Notes

Chapter 4

System Safety

4-1 Electrical Safety Precautions



Basic electrical safety precautions should be followed to protect yourself from harm and the SuperServer 6016TT-TF/6016TT-IBXF/6016TT-IBQF from damage:

- Be aware of the locations of the power on/off switch on the chassis as well as the room's emergency power-off switch, disconnection switch or electrical outlet. If an electrical accident occurs, you can then quickly remove power from the system.
- Do not work alone when working with high voltage components.
- Power should always be disconnected from the system when removing or installing main system components, such as the serverboard, memory modules and floppy drive. When disconnecting power, you should first power down the system with the operating system first and then unplug the power cords of all the power supply units in the system.
- When working around exposed electrical circuits, another person who is familiar with the power-off controls should be nearby to switch off the power if necessary.
- Use only one hand when working with powered-on electrical equipment. This is to avoid making a complete circuit, which will cause electrical shock. Use extreme caution when using metal tools, which can easily damage any electrical components or circuit boards they come into contact with.
- Do not use mats designed to decrease static electrical discharge as protection from electrical shock. Instead, use rubber mats that have been specifically designed as electrical insulators.
- The power supply power cords must include a grounding plug and must be plugged into grounded electrical outlets.

- This product may be connected to an IT power system. In all cases, make sure that the unit is also reliably connected to Earth (ground).
- Serverboard Battery: **CAUTION** - There is a danger of explosion if the onboard battery is installed upside down, which will reverse its polarities (see Figure 4-1). This battery must be replaced only with the same or an equivalent type recommended by the manufacturer. Dispose of used batteries according to the manufacturer's instructions.
- DVD-ROM Laser: **CAUTION** - this server may have come equipped with a DVD-ROM drive. To prevent direct exposure to the laser beam and hazardous radiation exposure, do not open the enclosure or use the unit in any unconventional way.
- Mainboard replaceable soldered-in fuses: Self-resetting PTC (Positive Temperature Coefficient) fuses on the mainboard must be replaced by trained service technicians only (CR2032). The new fuse must be the same or equivalent as the one replaced. Contact technical support for details and support.

4-2 General Safety Precautions



Follow these rules to ensure general safety:

- Keep the area around the 6016TT-TF/6016TT-IBXF/6016TT-IBQF clean and free of clutter.
- The 6016TT-TF/6016TT-IBXF/6016TT-IBQF weighs approximately 40 lbs (~18.2 kg) when fully loaded. When lifting the system, two people at either end should lift slowly with their feet spread out to distribute the weight. Always keep your back straight and lift with your legs.
- Place the chassis top cover and any system components that have been removed away from the system or on a table so that they won't accidentally be stepped on.
- While working on the system, do not wear loose clothing such as neckties and unbuttoned shirt sleeves, which can come into contact with electrical circuits or be pulled into a cooling fan.

- Remove any jewelry or metal objects from your body, which are excellent metal conductors that can create short circuits and harm you if they come into contact with printed circuit boards or areas where power is present.
- After accessing the inside of the system, close the system back up after ensuring that all connections have been made.

4-3 ESD Precautions



Electrostatic Discharge (ESD) is generated by two objects with different electrical charges coming into contact with each other. An electrical discharge is created to neutralize this difference, which can damage electronic components and printed circuit boards. The following measures are generally sufficient to neutralize this difference before contact is made to protect your equipment from ESD:

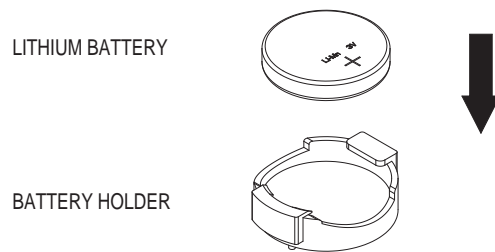
- Use a grounded wrist strap designed to prevent static discharge.
- Keep all components and printed circuit boards (PCBs) in their antistatic bags until ready for use.
- Touch a grounded metal object before removing the board from the antistatic bag.
- Do not let components or PCBs come into contact with your clothing, which may retain a charge even if you are wearing a wrist strap.
- Handle a board by its edges only; do not touch its components, peripheral chips, memory modules or contacts.
- When handling chips or modules, avoid touching their pins.
- Put the serverboard and peripherals back into their antistatic bags when not in use.
- For grounding purposes, make sure your computer chassis provides excellent conductivity between the power supply, the case, the mounting fasteners and the serverboard.

4-4 Operating Precautions



Care must be taken to assure that the chassis cover is in place when the 6016TT-TF/6016TT-IBXF/6016TT-IBQF is operating to assure proper cooling. Out of warranty damage to the system can occur if this practice is not strictly followed.

Figure 4-1. Installing the Onboard Battery



Please handle used batteries carefully. Do not damage the battery in any way; a damaged battery may release hazardous materials into the environment. Do not discard a used battery in the garbage or a public landfill. Please comply with the regulations set up by your local hazardous waste management agency to dispose of your used battery properly.

Chapter 5

Advanced Serverboard Setup

This chapter covers the steps required to install the X8DTT-F/X8DTT-IBXF/X8DTT-IBQF serverboard into the SC808T-1200B chassis, connect the data and power cables and install add-on cards. All serverboard jumpers and connections are also described. A layout and quick reference chart are included in this chapter for your reference. Remember to completely close the chassis when you have finished working with the serverboard to better cool and protect the system.

5-1 Handling the Serverboard

Electrostatic Discharge (ESD) can damage electronic components. To prevent damage to any printed circuit boards (PCBs), it is important to handle them very carefully (see previous chapter). To prevent the X8DTT-F/X8DTT-IBXF/X8DTT-IBQF serverboard from bending, keep one hand under the center of the board to support it when handling. The following measures are generally sufficient to protect your equipment from electric static discharge.

Precautions

- Use a grounded wrist strap designed to prevent Electrostatic Discharge (ESD).
- Touch a grounded metal object before removing any board from its antistatic bag.
- Handle a board by its edges only; do not touch its components, peripheral chips, memory modules or gold contacts.
- When handling chips or modules, avoid touching their pins.
- Put the serverboard, add-on cards and peripherals back into their antistatic bags when not in use.
- For grounding purposes, make sure your computer chassis provides excellent conductivity between the power supply, the case, the mounting fasteners and the serverboard.

Unpacking

The serverboard is shipped in antistatic packaging to avoid electrostatic discharge. When unpacking the board, make sure the person handling it is static protected.

5-2 Serverboard Installation

This section explains the first step of physically mounting the X8DTT-F/X8DTT-IBXF/X8DTT-IBQF into the SC808T-1200B chassis. Following the steps in the order given will eliminate the most common problems encountered in such an installation. To remove the serverboard, follow the procedure in reverse order.

Accessing the Inside of the System

1. Remove all four screws securing the top cover of the chassis: two at the top rear of the cover and one on each side lip, also near the back.
2. Place both thumbs in the indentations and push the cover back until it slides off.
3. Lift the top cover from the chassis to gain full access to the inside of the server. (If already installed in a rack, grasp the two handles on either side and pull the unit straight out until the rails lock into place. See Figure 2-5.)

Check Compatibility of Serverboard Ports and I/O Shield

1. The X8DTT-F/X8DTT-IBXF/X8DTT-IBQF in a Twin 1U configuration requires the use of Supermicro's 1U Twin chassis: the SC808T-1200B.
2. Make sure that the I/O ports on the serverboards align properly with their respective holes in the I/O shield at the back of the chassis when installing.

Mounting the Serverboard onto the Serverboard Tray

1. Carefully mount the serverboards by aligning the board holes with the raised metal standoffs that are visible in the chassis.
2. Insert screws into all the mounting holes on your serverboards that line up with the standoffs and tighten until snug (if you screw them in too tight, you might strip the threads).
3. Metal screws provide an electrical contact to the serverboard ground to provide a continuous ground for the system.

Warning: To avoid damaging the motherboard and its components, do not apply any force greater than 8 lbs. per square inch when installing a screw into a mounting hole.

5-3 Connecting Cables

Now that the serverboards are installed, the next step is to connect the cables to the boards. These include the data cables for the peripherals and control panel and the power cables.

Connecting Data Cables

The cables used to transfer data from the peripheral devices have been carefully routed to prevent them from blocking the flow of cooling air that moves through the system from front to back. If you need to disconnect any of these cables, you should take care to keep them routed as they were originally after reconnecting them (make sure the red wires connect to the pin 1 locations). The following data cables (with their locations noted) should be connected. (See the serverboard layout for connector locations.) Note that each connection listed should be made for both serverboards in the chassis.

- SATA drive cables (SATA0 ~ SATA1)
- Control Panel cable (JF1)

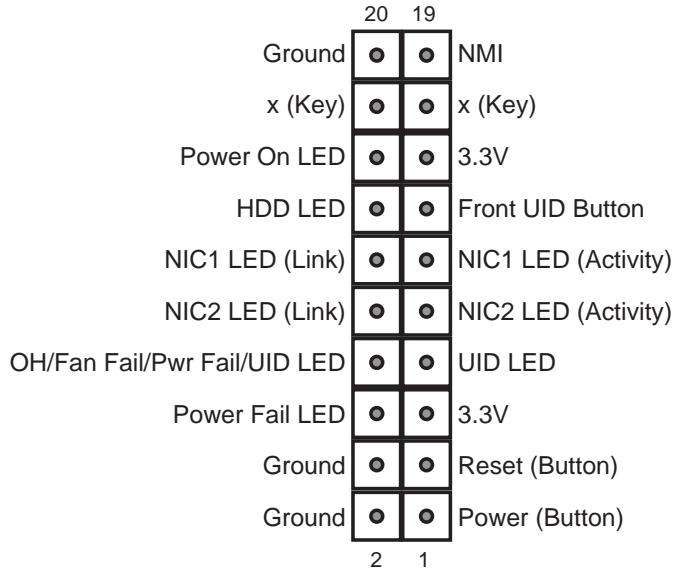
Connecting Power Cables

The X8DTT-F/X8DTT-IBXF/X8DTT-IBQF has two 20-pin ATX power supply connectors (JWR1) for connection to the ATX power supply. Only one of these from each board should be connected to the power supply. The "Primary ATX Power Header" is used to supply power to the primary serverboard and the "Secondary ATX Power Header" is used to supply power to the secondary serverboard. Connect the power supply to only one of these on both boards (primary = left, secondary = right when viewed from front of server). See Section 5-9 for power connector pin definitions.

Connecting the Control Panel

JF1 contains header pins for various front control panel connectors. See Figure 5-1 for the pin locations of the various front control panel buttons and LED indicators. All JF1 wires have been bundled into a single ribbon cable to simplify this connection. Make sure the red wire plugs into pin 1 as marked on the board. The other end connects to the Control Panel PCB board, located just behind the system status LEDs on the chassis.

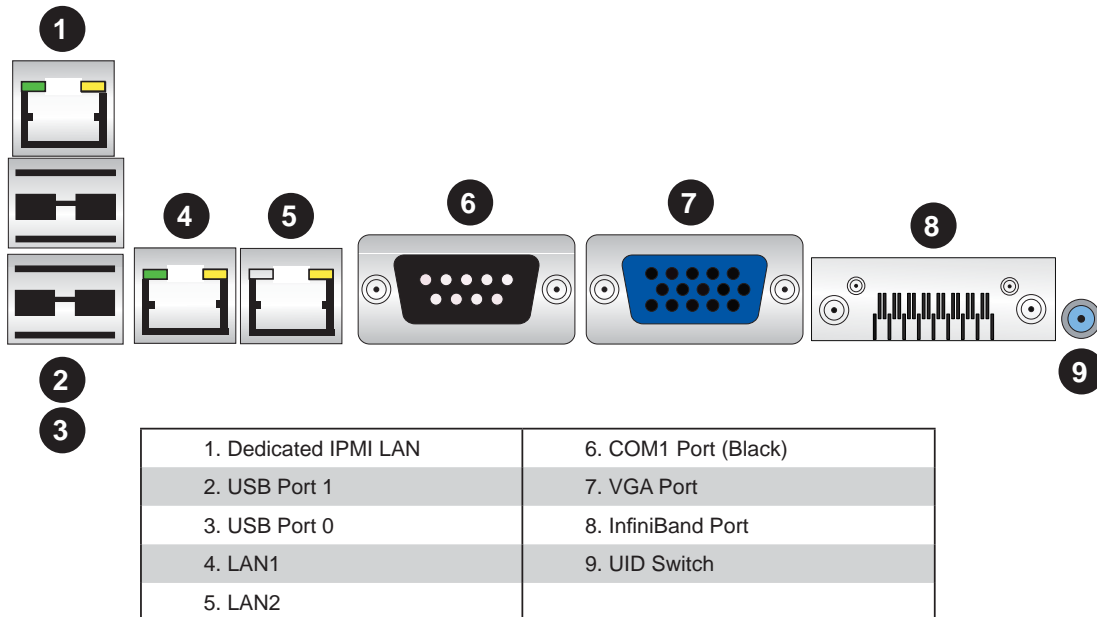
Figure 5-1. Control Panel Header Pins



5-4 I/O Ports

The I/O ports are color coded in conformance with the PC 99 specification. See Figure 5-2 below for the colors and locations of the various I/O ports.

Figure 5-2. I/O Ports



Note: The InfiniBand ports are included on the 6016TT-IBXF and 6016TT-IBQF only.

5-5 Processor and Heatsink Installation



When handling the processor package, avoid placing direct pressure on the label area of the fan.

Notes:

- Always connect the power cord last and always remove it before adding, removing or changing any hardware components. Make sure that you install the processor into the CPU socket before you install the CPU heatsink.
- If you buy a CPU separately, make sure that you use an Intel-certified multi-directional heatsink only.
- Make sure to install the serverboard into the chassis before you install the CPU heatsinks.
- When receiving a serverboard without a processor pre-installed, make sure that the plastic CPU socket cap is in place and none of the socket pins are bent; otherwise, contact your retailer immediately.
- Refer to the Supermicro web site for updates on CPU support.

Installing LGA1366 Processors

1. Starting with CPU1, press the socket clip to release the load plate, which covers the CPU socket, from its locked position.
2. Gently lift the socket clip to open the load plate.
3. Hold the plastic cap at its north and south center edges to remove it from the CPU socket.

Note: The photos on this page and succeeding pages are for illustration purposes only. They do not necessarily reflect the exact product(s) described in this manual.



Socket Clip

Load Plate



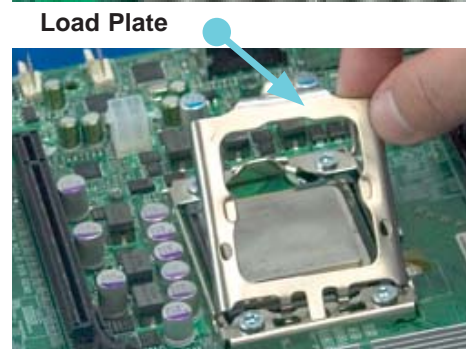
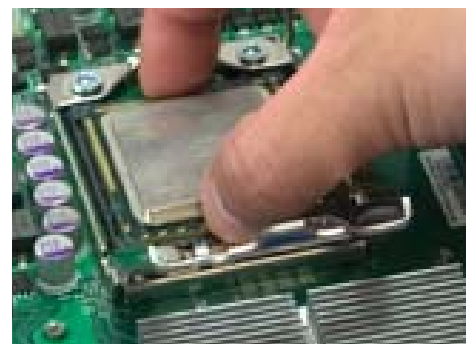
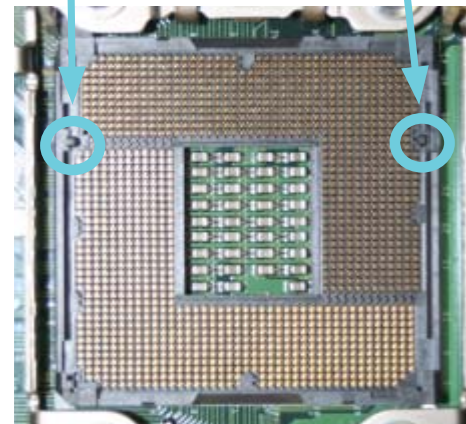
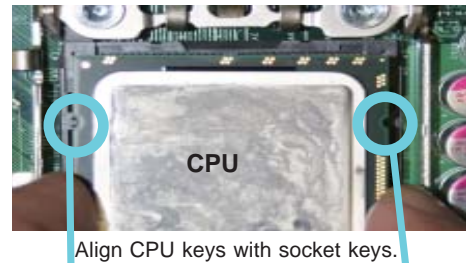
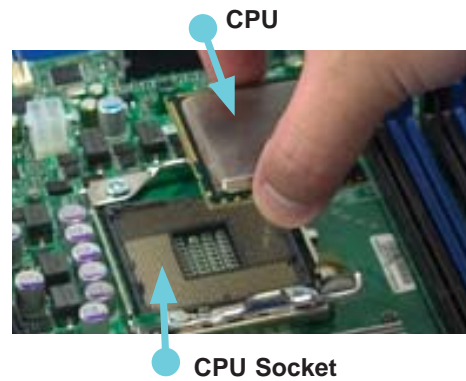
Plastic Cap



Holding the north & south edges

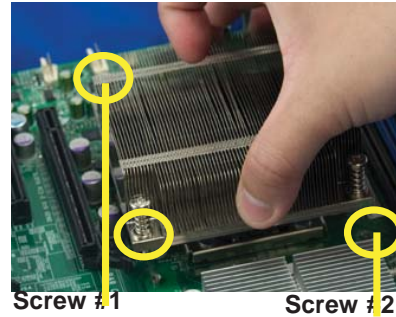
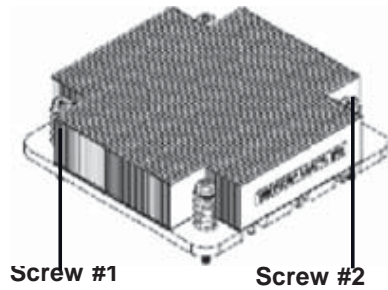
1. After removing the plastic cap, use your thumb and the index finger to hold the CPU at the north and south center edges.
2. Align the CPU key (the semi-circle cutout) with the socket key (the notch below the gold color dot on the side of the socket).
3. Once the CPU and the socket are aligned, carefully lower the CPU straight down into the socket. Do not rub the CPU against the surface of the socket or its pins to avoid damaging the CPU or the socket.
4. With the CPU in the socket, inspect the four corners of the CPU to make sure that it sits level and is properly installed.
5. Once the CPU is securely seated in the socket, lower the CPU load plate to the socket.
6. Use your thumb to gently push the socket clip down to the clip lock.
7. Repeat for the CPU2 socket for a dual-processor configuration.

Important! Please save the plastic cap. The motherboard must be shipped with the plastic cap properly installed to protect the CPU socket pins. Shipment without the plastic cap properly installed may cause damage to the socket pins.

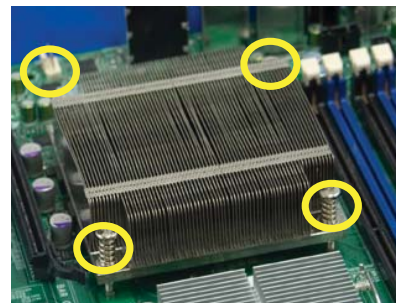
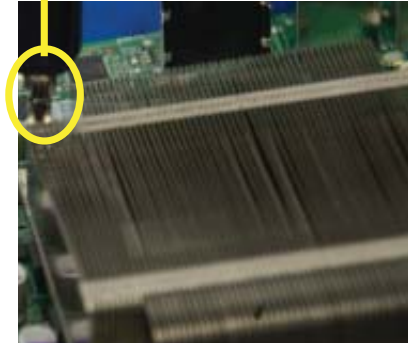


Installing a CPU Heatsink

1. Remove power from the system and unplug the AC power cord from the power supply.
2. Do not apply any thermal grease to the heatsink or the CPU die; the required amount has already been applied.
3. Place the heatsink on top of the CPU so that the four mounting holes are aligned with those on the (preinstalled) heatsink retention mechanism.
4. Screw in two diagonal screws (i.e. the #1 and the #2 screws) until just snug. Do not fully tighten the screws or you may damage the CPU.)
5. Add the two remaining screws then finish the installation by fully tightening all four screws.



Install Screw #1

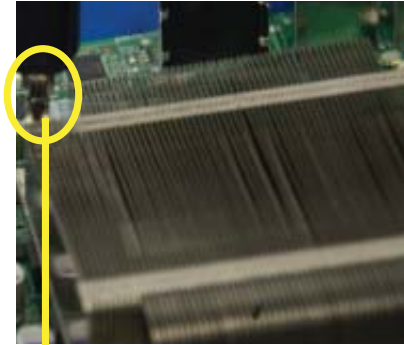


Removing the Heatsink

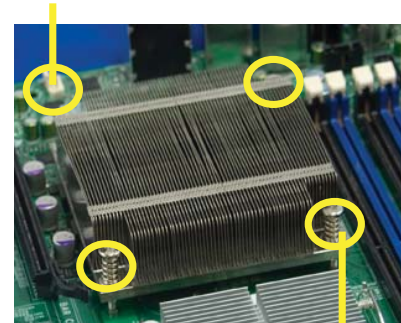


Warning! We do not recommend that the CPU or the heatsink be removed. However, if you do need to uninstall the heatsink, please follow the instructions below to prevent damage to the CPU or the CPU socket.

1. Remove power from the system and unplug the AC power cord from the power supply.
2. Disconnect the heatsink fan wires from the CPU fan header.
3. Using a screwdriver, loosen and remove the heatsink screws from the motherboard in the sequence as show in the picture on the right.
4. Hold the heatsink as shown in the picture on the right and gently wriggle the heatsink to loosen it from the CPU. (Do not use excessive force when wriggling the heatsink.)
5. Once the heatsink is loose, remove it from the CPU socket.
6. To reinstall the CPU and the heatsink, clean the surface of the CPU and the heatsink to get rid of the old thermal grease. Reapply the proper amount of thermal grease on the CPU surface before reinstalling the heatsink.



Remove Screw #1



Remove Screw #2



5-6 Installing Memory



CAUTION! Exercise extreme care when installing or removing DIMM modules to prevent any possible damage.

Memory Support

Each X8DTT-F/X8DTT-IBXF/X8DTT-IBQF has six 240-pin DIMM slots that can support up to 96 GB of registered ECC DDR3-1333/1066/800 SDRAM (for a total of 192 GB in the system) or up to 48 GB of unbuffered ECC/non-ECC DDR3-1333/1066/800 SDRAM (for a total of 96 GB in the system).

Note: Check the Supermicro web site for recommended DIMMs.

Installing Memory Modules

1. Insert each memory module vertically into a slot following the charts below. Pay attention to the notch along the bottom of the module to prevent inserting it incorrectly.
2. Gently press down on the DIMM module until it snaps into place in the slot (see Figure 5-3).
3. Repeat for all DIMMs. See tables below and on following pages.

| Populating Memory for Optimal Performance (Single CPU Configuration) | | | | | | |
|---|-----------|-----------|-----------|-----------|-----------|-----------|
| | Branch 0 | | Branch 1 | | Branch 2 | |
| 3 DIMMs | P1 DIMM1A | | P1 DIMM2A | | P1 DIMM3A | |
| 6 DIMMs | P1 DIMM1A | P1 DIMM1B | P1 DIMM2A | P1 DIMM2B | P1 DIMM3A | P1 DIMM3B |

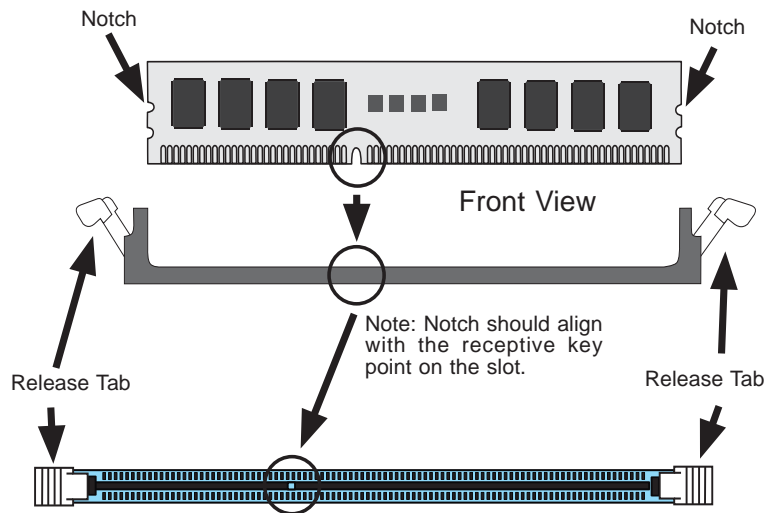
| Populating Memory for Optimal Performance (Dual CPU Configuration) | | | | | | | | | | | | |
|---|----------|----|----------|----|----------|----|----------|----|----------|----|----------|----|
| | CPU1 | | | | | | CPU2 | | | | | |
| | Branch 0 | | Branch 1 | | Branch 3 | | Branch 0 | | Branch 1 | | Branch 3 | |
| 6 DIMMs | 1A | | 2A | | 3A | | 1A | | 2A | | 3A | |
| 12 DIMMs | 1A | 1B | 2A | 2B | 3A | 3B | 1A | 1B | 2A | 2B | 3A | 3B |

| DIMM Population Table | | | | |
|------------------------|-----------------------------|------------------------------|-----------------|--|
| DIMM Slots per Channel | DIMMs Populated per Channel | DIMM Type (Reg.= Registered) | Speeds (in MHz) | Ranks per DIMM (any combination; SR=Single Rank, DR=Dual Rank, QR=Quad Rank) |
| 2 | 1 | Reg. DDR3 ECC | 800,1066,1333 | SR, DR |
| 2 | 1 | Reg. DDR3 ECC | 800,1066, | QR |
| 2 | 2 | Reg. DDR3 ECC | 800,1066,1333 | SR, DR |
| 2 | 2 | Reg. DDR3 ECC | 800,1066 | SR, DR, QR |

Figure 5-3. DIMM Installation

To Install: Insert module vertically and press down until it snaps into place. Pay attention to the alignment notch at the bottom.

To Remove: Use your thumbs to gently push the release tabs near both ends of the module. This should release it from the slot.



| RDIMM Population with 5500 Processors Installed | | | | |
|---|-----------------------------|------------------------------|-------------------|--|
| DIMM Slots per Channel | DIMMs Populated per Channel | DIMM Type (Reg.= Registered) | Speeds (in MHz) | Ranks per DIMM (any combination; SR=Single Rank, DR=Dual Rank, QR=Quad Rank) |
| 2 | 1 | Reg. DDR3 ECC | 800,1066,1333 | SR or DR |
| 2 | 1 | Reg. DDR3 ECC | 800,1066 (Note 1) | QR |
| 2 | 2 | Reg. DDR3 ECC | 800,1066 (Note 1) | Mixing SR, DR |
| 2 | 2 | Reg. DDR3 ECC | 800 (Note 2) | Mixing SR, DR, QR |

Note 1: 1333 RDIMMs will run at 1066 MHz (BIOS automatic downgrading).
Note 2: 1333/1066 RDIMMs will run at 800 MHz (BIOS automatic downgrading).

| UDIMM Population with 5500 Processors Installed | | | | |
|---|-----------------------------|------------------------------|-----------------|--|
| DIMM Slots per Channel | DIMMs Populated per Channel | DIMM Type (Unb.= Unbuffered) | Speeds (in MHz) | Ranks per DIMM (any combination; SR=Single Rank, DR=Dual Rank, QR=Quad Rank) |
| 2 | 1 | Unb. DDR3 ECC/Non-ECC | 800,1066,1333 | SR or DR |
| 2 | 2 | Unb. DDR3 ECC/Non-ECC | 800,1066 (Note) | Mixing SR, DR |

Note: 1333 UDIMMs will run at 800 MHz (BIOS automatic downgrading)

| 1.5V RDIMM Population with 5600 Processors Installed | | | | |
|---|-----------------------------|------------------------------|---------------------|--|
| DIMM Slots per Channel | DIMMs Populated per Channel | DIMM Type (Reg.= Registered) | Speeds (in MHz) | Ranks per DIMM (any combination; SR=Single Rank, DR=Dual Rank, QR=Quad Rank) |
| 2 | 1 | Reg. DDR3 ECC | 800,1066,1333 | SR or DR |
| 2 | 1 | Reg. DDR3 ECC | 800 , 1066 (Note 1) | QR |
| 2 | 2 | Reg. DDR3 ECC | 800,1066, 1333 | Mixing SR, DR |
| 2 | 2 | Reg. DDR3 ECC | 800 (Note 2) | Mixing SR, DR, QR |
| Note 1: 1333 RDIMMs MHz will run at 1066 MHz (BIOS automatic downgrading) Note 2: 1333/1066 RDIMMs MHz will run at 800 MHz (BIOS automatic downgrading) Note 3: Mlxing of 1.35V and 1.5V DIMMs is not recommended. | | | | |

| 1.5V UDIMM Population with 5600 Processors Installed | | | | |
|---|-----------------------------|------------------------------|-----------------|--|
| DIMM Slots per Channel | DIMMs Populated per Channel | DIMM Type (Unb.= Unbuffered) | Speeds (in MHz) | Ranks per DIMM (any combination; SR=Single Rank, DR=Dual Rank, QR=Quad Rank) |
| 2 | 1 | Unb. DDR3 ECC/Non-ECC | 800,1066,1333 | SR or DR |
| 2 | 2 | Unb. DDR3 ECC/Non-ECC | 800,1066, 1333 | Mixing SR, DR |
| Note 1: 1333 MHz for two DIMMs per channel is supported when Unbuf./ECC DIMMs are used. Note 2: Mlxing of 1.35V and 1.5V DIMMs is not recommended. | | | | |

| 1.35V RDIMM Population with 5600 Processors Installed | | | | |
|---|-----------------------------|------------------------------|-------------------|--|
| DIMM Slots per Channel | DIMMs Populated per Channel | DIMM Type (Reg.= Registered) | Speeds (in MHz) | Ranks per DIMM (any combination; SR=Single Rank, DR=Dual Rank, QR=Quad Rank) |
| 2 | 1 | Reg. DDR3 ECC | 800,1066,1333 | SR or DR |
| 2 | 1 | Reg. DDR3 ECC | 800 (Note 1) | QR |
| 2 | 2 | Reg. DDR3 ECC | 800,1066 (Note 2) | Mixing SR, DR |
| 2 | 2 | Reg. DDR3 ECC | 800 (Note 3) | Mixing SR, DR, QR |
| Note 1: 1333/1066 QR RDIMMs MHz will run at 800 MHz (BIOS automatic downgrading) Note 2: 1333 SR/DR RDIMMs MHz will run at 800 MHz (BIOS automatic downgrading) Note 3: 1333 SR/DR/QR RDIMMs MHz will run at 800 MHz (BIOS automatic downgrading) Note 4: Mlxing of 1.35V and 1.5V DIMMs is not recommended. | | | | |

| 1.35V UDIMM Population with 5600 Processors Installed | | | | |
|---|-----------------------------|------------------------------|-----------------|--|
| DIMM Slots per Channel | DIMMs Populated per Channel | DIMM Type (Unb.= Unbuffered) | Speeds (in MHz) | Ranks per DIMM (any combination; SR=Single Rank, DR=Dual Rank, QR=Quad Rank) |
| 2 | 1 | Unb. DDR3 ECC | 800,1066,1333 | SR or DR |
| 2 | 2 | Unb. DDR3 ECC | 800,1066 | Mixing SR, DR |
| Note 1: 1333 MHz for two DIMMs per channel is supported when Unbuf./ECC DIMMs are used. Note 2: Mlxing of 1.35V and 1.5V DIMMs is not recommended. | | | | |

Due to the memory allocation to system devices, the amount of memory that remains available for operational use will be reduced when 4 GB of RAM is used. The reduction in memory availability is disproportional. Refer to the table below.

| Possible System Memory Allocation & Availability | | | |
|--|--------|---|---|
| System Device | Size | Physical Memory Remaining (Available) (3 GB Total System Memory) | Physical Memory Remaining (Available) (4 GB Total System Memory) |
| Firmware Hub flash memory (System BIOS) | 1 MB | 3.00 | 3.99 |
| Local APIC | 4 KB | 3.00 | 3.99 |
| Area Reserved for the chipset | 2 MB | 3.00 | 3.99 |
| I/O APIC (4 Kbytes) | 4 KB | 3.00 | 3.99 |
| PCI Enumeration Area 1 | 256 MB | 3.00 | 3.76 |
| PCI Express (256 MB) | 256 MB | 3.00 | 3.51 |
| PCI Enumeration Area 2 (if needed) -Aligned on 256-MB boundary- | 512 MB | 3.00 | 3.01 |
| VGA Memory | 16 MB | 2.85 | 2.85 |
| TSEG | 1 MB | 2.84 | 2.84 |
| Memory available to OS & other applications | | 2.84 | 2.84 |

5-7 Adding PCI Cards

PCI Express Slot

The 6016TT-TF/6016TT-IBXF/6016TT-IBQF includes two preinstalled riser cards designed specifically for use in the SC808T-1200B 1U rackmount chassis. These riser cards support two low-profile PCI Express x16 cards to fit inside the chassis.

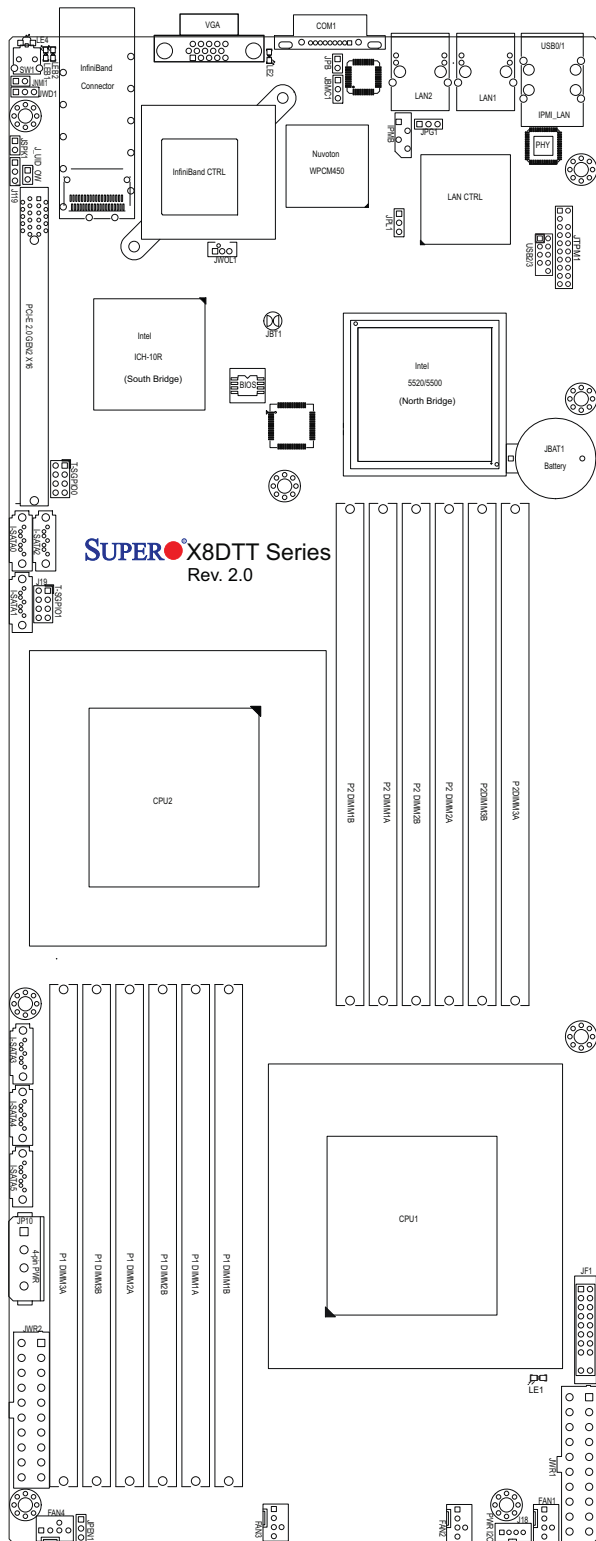
PCI Card Installation

A riser card has already been preinstalled into each serverboard. Perform the following steps to add a PCI add-on card:

1. Remove the PCI slot shield on the chassis by releasing the locking tab.
2. Insert the add-on card into the riser card.
3. Secure the add-on card with the locking tab.

5-8 Serverboard Details

Figure 5-4. X8DTT Series Motherboard Layout



Note: Jumpers not indicated are for test purposes only.

X8DTT-F/X8DTT-IBXF/X8DTT-IBQF Quick Reference

| Jumper | Description | Default Setting |
|---------------|--------------------------------|------------------------|
| JBMC1 | BMC Enable/Disable | Pins 1-2 (Enabled) |
| JBT1 | CMOS Clear | (See Section 5-10) |
| JPEN1 | Normal Power Enable | Pins 1-2 (Enabled) |
| JPG1 | VGA Enable/Disable | Pins 1-2 (Enabled) |
| JPL1 | LAN1/2 Enable/Disable | Pins 1-2 (Enabled) |
| J_UID_OW | Red LED Overwrite | Open (Overwrite) |
| JWD1 | Watch Dog Enable/Disable/Reset | Pins 1-2 (Reset) |

| Connector | Description |
|----------------------|---|
| COM1 | COM1 Serial Port |
| FAN 1-4 | System/CPU Fan Headers |
| InfiniBand | InfiniBand Connector |
| IPMB | IPMB Header (for an IPMI Card) |
| PWR I ² C | Power Supply SMBus I ² C Header |
| JF1 | Front Panel Connector |
| JNMI1 | NMI (Non-Masked Interrupt) Header |
| JP10 | Onboard 4-pin Power Connector |
| JPSK1 | Internal Speaker/Buzzer Header |
| JTPM1 | Trusted Platform Module Header |
| JWR1/JWR2 | 12V 20-pin Power Connectors |
| JWOL1 | Wake-On-LAN Header |
| LAN1/2 | Gigabit Ethernet (RJ45) Ports |
| IPMI LAN | Dedicated IPMI LAN Port |
| SATA0 ~ SATA5 | SATA Ports |
| SMBus | System Management Bus Header |
| SW1 | Unit Identifier Switch |
| T-SGPIO-0/T-SGPIO-1 | Serial General Purpose Input/Output Headers |
| USB0/1, USB 2/3 | Universal Serial Bus (USB) Ports 0/1, 2/3 |

| LED | Description |
|------------|--|
| LE1 | Standby Power LED |
| LE2 | BMC Heartbeat LED |
| LE4 | (Rear) Unit Identifier (UID) LED Indicator |
| LEB1 | InfiniBand Link LED |
| LEB2 | BMC Activity LED |

5-9 Connector Definitions

ATX Power Connector

The main ATX power supply connectors on the X8DTT-F/X8DTT-IBXF/X8DTT-IBQF are proprietary 20-pin connections. Refer to the table on the right for the pin definitions. Only one of the two ATX power connectors from each serverboard should be connected to the power supply.

| ATX Power 20-pin Connector Pin Definitions (ATX Power 1/2) | | | |
|---|------------|-------|------------|
| Pin# | Definition | Pin # | Definition |
| 11 | PS On | 1 | Ground |
| 12 | 5VSB | 2 | Ground |
| 13 | Ground | 3 | Ground |
| 14 | Ground | 4 | Ground |
| 15 | Ground | 5 | Ground |
| 16 | NC2 | 6 | NC1 |
| 17 | 12V | 7 | 12V |
| 18 | 12V | 8 | 12V |
| 19 | 12V | 9 | 12V |
| 20 | 12V | 10 | 12V |

Auxiliary Power Connector

A 4-pin 12V auxiliary power connector is included to provide power to hard drive disks. See the table on the right for pin definitions.

| Auxiliary Power Pin Definitions (JP10) | |
|---|------------|
| Pin# | Definition |
| 1 | +12V |
| 2 | Ground |
| 3 | Ground |
| 4 | +5V |

PW_ON Connector

The PW_ON connector is on pins 1 and 2 of JF1. This header should be connected to the chassis power button. See the table on the right for pin definitions.

| Power Button Pin Definitions (JF1) | |
|---------------------------------------|------------|
| Pin# | Definition |
| 1 | PW_ON |
| 2 | Ground |

Reset Connector

The reset connector is located on pins 3 and 4 of JF1 and attaches to the reset switch on the computer chassis. See the table on the right for pin definitions.

| Reset Button Pin Definitions (JF1) | |
|---------------------------------------|------------|
| Pin# | Definition |
| 3 | Reset |
| 4 | Ground |

Overheat/Fan Fail/PWR Fail/UID LED

Pins 7 and 8 of JF1 are for the Overheat/Fan Fail/Power Fail and UID LED connections. The red LED (pin 8) provides warnings of overheat, fan failure or power failure. The blue LED (pin 7) is for the UID LED indicator for the control panel UID button. Refer to the tables on the right for pin definitions.

| OH/Fan Fail/ PWR Fail/Blue_UID LEDPin Definitions (JF1) | |
|---|----------------------------------|
| Pin# | Definition |
| 7 | Blue UID LED/5.5V.SB |
| 8 | OH/Fan Fail/PWR Fail/Red UID LED |

| OH/Fan Fail/PWR Fail LED Status (Red LED) | |
|---|------------|
| State | Definition |
| Off | Normal |
| On | Overheat |
| Flashing | Fan Fail |

NIC2 (LAN2) LED

The LED connections for LAN2 are on pins 9 and 10 of JF1. Attach LAN LED cables to display network activity. See the table on the right for pin definitions.

| NIC2 LED Pin Definitions (JF1) | |
|--------------------------------|------------|
| Pin# | Definition |
| 9 | Vcc |
| 10 | Ground |

NIC1 (LAN1) LED

The LED connections for LAN1 are on pins 11 and 12 of JF1. Attach LAN LED cables to display network activity. See the table on the right for pin definitions.

| NIC1 LED Pin Definitions (JF1) | |
|--------------------------------|------------|
| Pin# | Definition |
| 11 | Vcc |
| 12 | Ground |

HDD LED

The HDD LED and UID switch connections are located on pins 13 and 14 of JF1. Attach a hard drive LED cable here to display disk activity. This connection is also used for the front panel UID switch. The UID LED on pin 7 of JF1 works in conjunction with this switch. See the table on the right for pin definitions.

| HDD LED Pin Definitions (JF1) | |
|-------------------------------|-----------------|
| Pin# | Definition |
| 13 | UID Signal/3.3V |
| 14 | HDD Active |

Power On LED

The Power On LED connector is located on pins 15 and 16 of JF1. This connection is used to provide LED indication of power being supplied to the system. See the table on the right for pin definitions.

| Power LED Pin Definitions (JF1) | |
|------------------------------------|------------|
| Pin# | Definition |
| 15 | 5V Stby |
| 16 | Control |

NMI Button

The non-maskable interrupt button header is located on pins 19 and 20 of JF1. Refer to the table on the right for pin definitions.

| NMI Button Pin Definitions (JF1) | |
|-------------------------------------|------------|
| Pin# | Definition |
| 19 | Control |
| 20 | Ground |

Fan Headers

Four 4-pin fan headers (backward compatible with traditional 3-pin fans) are included on the motherboard. Fan speed control is available for 4-pin fans only. The fan speeds are controlled by Thermal Management via Hardware Monitoring in the Advanced Setting in the BIOS. (The default setting is disabled.) See the table on the right for pin definitions.

| Fan Header Pin Definitions (FAN1-4) | |
|---|----------------|
| Pin# | Definition |
| 1 | Ground (Black) |
| 2 | +12V (Red) |
| 3 | Tachometer |
| 4 | PWM Control |

Universal Serial Bus (USB)

Two Universal Serial Bus ports are located on the I/O panel. Two USB headers are located on the serverboard and can be used to provide front side USB access (cables not included). See the tables on the right for pin definitions.

| USB Ports Pin Definitions (USB0/1/4) | |
|---|------------|
| Pin# | Definition |
| 1 | +5V |
| 2 | PO- |
| 3 | PO+ |
| 4 | Ground |
| 5 | N/A |

| USB Headers Pin Definitions (USB2/3) | | | |
|---|------------|-------|---------------|
| USB2 | | USB3 | |
| Pin # | Definition | Pin # | Definition |
| 1 | +5V | 2 | +5V |
| 3 | PO- | 4 | PO- |
| 5 | PO+ | 6 | PO+ |
| 7 | Ground | 8 | Ground |
| 9 | Key | 10 | No connection |

Serial Ports

One serial port is included on the serverboard. The COM port is located beside the VGA port. See the table on the right for pin definitions.

| Serial Port Pin Definitions (COM) | | | |
|-----------------------------------|------------|-------|------------|
| Pin # | Definition | Pin # | Definition |
| 1 | DCD | 6 | DSR |
| 2 | RXD | 7 | RTS |
| 3 | TXD | 8 | CTS |
| 4 | DTR | 9 | RI |
| 5 | Ground | 10 | NC |

Note: NC indicates no connection.

SGPIO Header

Two SGPIO (Serial General Purpose Input/Output) headers are included on the serverboard. These headers are used to communicate with the System Monitoring chip on the backplane to monitor SATA activity. See the table on the right for pin definitions.

| SGPIO Header Pin Definitions (T-SGPIO-0/T-SGPIO-1) | | | |
|--|------------|-----|------------|
| Pin# | Definition | Pin | Definition |
| 1 | NC | 2 | NC |
| 3 | Ground | 4 | DATA Out |
| 5 | Load | 6 | Ground |
| 7 | Clock | 8 | NC |

Note: NC indicates no connection.

I²C Power Connector

This header is for I²C, which may be used to monitor the status of the power supply, fan and system temperature. See the table on the right for pin definitions.

| I ² C Power Connector Pin Definitions (I ² C_PWR) | |
|---|------------|
| Pin# | Definition |
| 1 | SMB Clock |
| 2 | SMB Data |
| 3 | Power Fail |
| 4 | Ground |

Wake-On-LAN

The Wake-On-LAN header is located at JWOL1 on the motherboard. You must also have a LAN card with a Wake-On-LAN connector and a cable to use this feature. See the table on the right for pin definitions.

| Wake-On-LAN Pin Definitions (JWOL1) | |
|-------------------------------------|-------------|
| Pin# | Definition |
| 1 | +5V Standby |
| 2 | Ground |
| 3 | Wake-up |

Power SMB (I²C) Connector

System Management Bus (I²C) Connector monitors power supply, fan and system temperatures. See the table on the right for pin definitions.

| PWR SMB Pin Definitions | |
|----------------------------|------------|
| Pin# | Definition |
| 1 | Clock |
| 2 | Data |
| 3 | PWR Fail |
| 4 | Ground |

SMBus

A System Management Bus header for the IPMI slot is located at IPMB. Connect the appropriate cable here to use the IPMB I²C connection on your system.

| SMBus Header Pin Definitions | |
|---------------------------------|---------------|
| Pin# | Definition |
| 1 | Data |
| 2 | Ground |
| 3 | Clock |
| 4 | No Connection |

Trusted Platform Module Header

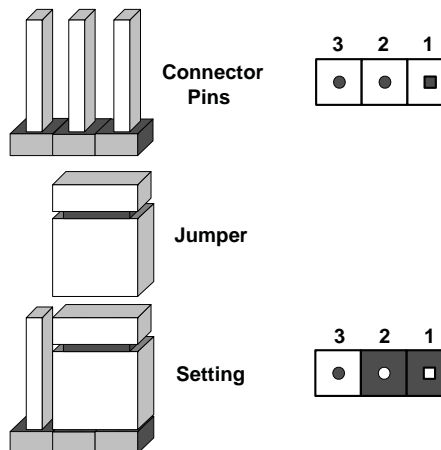
A Trusted Platform Module header (JTPM1) provides TPM support to enhance data integrity and system security. Refer to the table on the right for pin definitions.

| Trusted Platform Module Header Pin Definitions | | | |
|---|------------|-------|------------|
| Pin# | Definition | Pin # | Definition |
| 1 | LPC Clock | 2 | Ground |
| 3 | LPC Frame# | 4 | Key |
| 5 | LPC Reset# | 6 | +5V (X) |
| 7 | LAD3 | 8 | LAD2 |
| 9 | +3.3V | 10 | LAD1 |
| 11 | LAD0 | 12 | Ground |
| 13 | SCL | 14 | SDAT |
| 15 | +3V Dual | 16 | SERIRQ (X) |
| 17 | Ground | 18 | CLKRUN (X) |
| 19 | LPCPD# (X) | 20 | LDRQ# (X) |

5-10 Jumper Settings

To modify the operation of the serverboard, jumpers can be used to choose between optional settings. Jumpers create shorts between two pins to change the function of the connector. Pin 1 is identified with a square solder pad on the printed circuit board. See the serverboard layout pages for jumper locations.

Note: On a two-pin jumper, "Closed" means the jumper is on both pins and "Open" means the jumper is either on only one pin or completely removed



CMOS Clear

JBT1 is used to clear CMOS (which will also clear any passwords). Instead of pins, this jumper consists of contact pads to prevent accidentally clearing the contents of CMOS.

To Clear CMOS

1. First power down the system and unplug the power cord(s).
2. With the power disconnected, short the CMOS pads with a metal object such as a small screwdriver.
3. Remove the screwdriver (or shorting device).
4. Reconnect the power cord(s) and power on the system.

Note: Do not use the PW ON connector to clear CMOS.

VGA Enable/Disable

JPG1 allows you to enable or disable the VGA port. The default position is on pins 1 and 2 to enable VGA. See the table on the right for jumper settings.

| VGA Enable/Disable Jumper Settings (JPG1) | |
|---|------------|
| Jumper Setting | Definition |
| Pins 1-2 | Enabled |
| Pins 2-3 | Disabled |

Watch Dog Enable/Disable

JWD1 enables the Watch Dog function, a system monitor that takes action when a software application freezes the system. Jumping pins 1-2 will have Watch Dog reboot the system if a program freezes. Jumping pins 2-3 will generate a non-maskable interrupt for the program that has frozen. See the table on the right for jumper settings. Watch Dog must also be enabled in BIOS.

| Watch Dog Jumper Settings | |
|---------------------------|------------|
| Jumper Setting | Definition |
| Pins 1-2 | Reset |
| Pins 2-3 | NMI |
| Open | Disabled |

Note: when Watch Dog is enabled, the user must write their own application software to disable the Watch Dog Timer.

LAN1/LAN2 Enable/Disable

Change the setting of jumper JPL1 to enable or disable the LAN1 and LAN2 ports. See the table on the right for jumper settings. The default setting is enabled.

| LAN1/2 Enable/Disable Jumper Settings | |
|---------------------------------------|------------|
| Jumper Setting | Definition |
| Pins 1-2 | Enabled |
| Pins 2-3 | Disabled |

Power Setting Select

JPEN1 allows you to configure power settings for hot-swap support on the Hot-Swap version of Chassis 827. To enable hot-swap support for this model of chassis, connect a cable to Pins 2~3 of JPEN1. To use the regular power setting for other chassis, close Pins 1~2 on JPEN1 with a cap. See the table on the right for jumper settings.

| Power Setting Select Jumper Settings | |
|--------------------------------------|---------------------|
| Jumper | Definition |
| Pins 1-2 | Onboard PWR setting |
| Pins 2-3 | Hot Swap support |

Red LED Overwrite Enable/Disable

When jumper J_UID_OW is open (the default setting), the red LED for Over-heat/Fan Fail/PWR Fail/UID LED (see pin 8 of JF1) will overwrite the signal from the blue UID LED (see pin 7 of JF1). That is, when the red LED is on, the blue LED will be turned off (when the red LED is off, the blue LED can be on or off). When this jumper is closed, the red and blue LEDs work independently of each other. See the table on the right for jumper settings.

| Red LED Overwrite Enable/Disable Jumper Settings | |
|--|--|
| Jumper | Definition |
| Open | Red OH/Fan Fail/PWR Fail LED (pin 8 of JF1) takes precedence over the Blue UID_LED (pin 7 of JF1). Red LED: On, Blue LED: Off, Red LED: Off, Blue LED: On or Off |
| Closed | Red and Blue LEDs function independently. Red LED: On, Blue LED: On, Off Red LED: Off, Blue LED: On, Off |

BMC Enable/Disable

Use jumper JPBMC1 to enable or disable the Winbond WPCM450 BMC (Baseboard Management Controller), which supports IPMI 2.0. See the table on the right for jumper settings.

| BMC Enable/Disable Jumper Settings | |
|------------------------------------|------------|
| Both Jumpers | Definition |
| Pins 1-2 | Enabled |
| Pins 2-3 | Disabled |

5-11 Onboard Indicators

LAN1/LAN2 LEDs

The Ethernet ports (located beside the COM port) have two LEDs. On each Gb LAN port, one LED indicates activity when blinking while the other LED may be green, amber or off to indicate the speed of the connection. See the table on the right for the functions associated with the connection speed LED.

| LAN1/LAN2 LEDs (Connection Speed Indicator) | |
|--|--------------------------|
| LED Color | Definition |
| Off | No connection or 10 Mb/s |
| Green | 100 Mb/s |
| Amber | 1 Gb/s |

InfiniBand LED Indicators (LEB1/LEB2)

There are two LEDs associated with the InfiniBand connection: LEB1 and LEB2. The green LED (LEB1) is the InfiniBand Link LED and the yellow LED (LEB2) indicates activity. Refer to the table on the right for details.

| InfiniBand Link LED (LEB1) | | |
|-------------------------------|--------|--------------------------|
| Color | Status | Definition |
| Green | Solid | InfiniBand: Connected |
| Off | Off | No connection |

| InfiniBand Activity LED (LEB2) | | |
|-----------------------------------|--------|--|
| Color | Status | Definition |
| Yellow | Solid | InfiniBand: Active |
| Yellow | Dim | InfiniBand: Connected Activity: Idle |
| Off | Off | No connection |

Onboard Power LED

The LE1 LED is to indicate the system power is on. Be sure to turn off the system and unplug the power cord before removing or installing components. See the table at right for more information.

| Onboard PWR LED Indicator Settings | |
|---------------------------------------|--------------------------------------|
| LED Color | Definition |
| Off | System Off (PWR cable not connected) |
| Green | System On |
| Green: Flashing Quickly | ACPI S1 State |

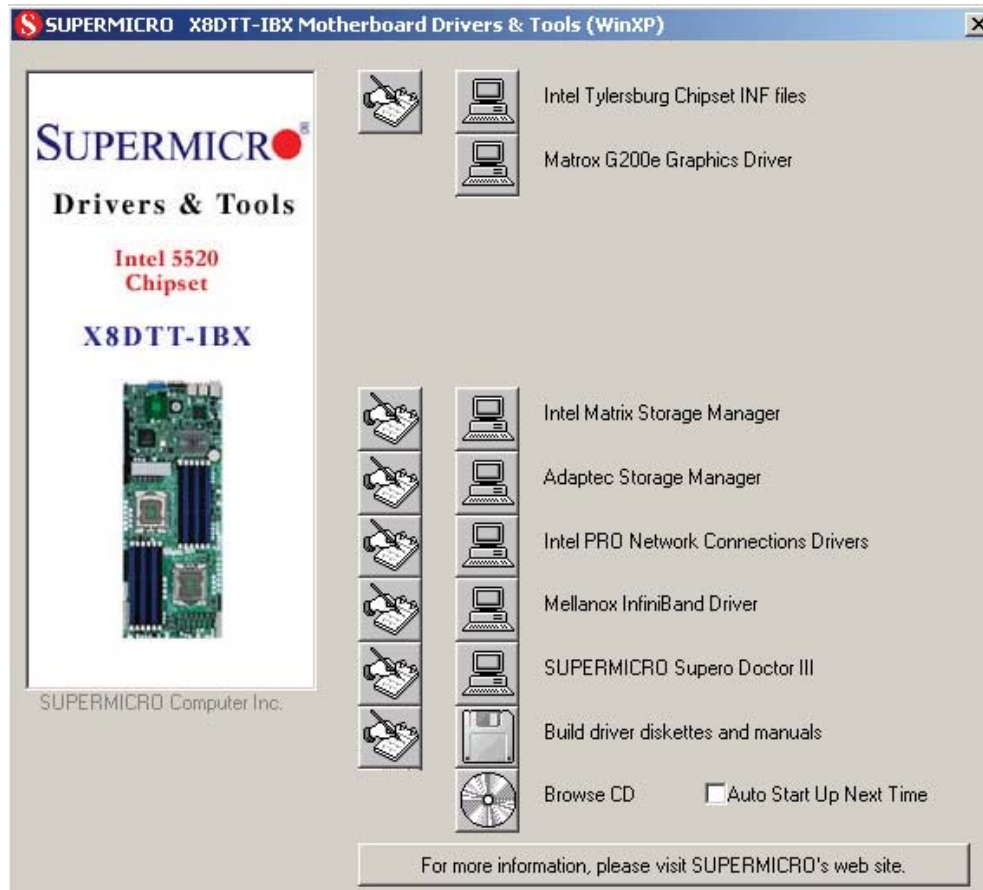
BMC Heartbeat LED

LE2 is a BMC Heartbeat LED. When LE2 is blinking, the BMC (Baseboard Management Controller) is functioning normally. See the table at right for more information.

| BMC Heartbeat LED | |
|-------------------|--------------|
| Color/Status | Definition |
| Green: Blinking | BMC: Normal. |

5-12 Installing Additional Drivers

After you've installed the Windows Operating System, a screen as shown below will appear. You are ready to install software programs and drivers that have not yet been installed. To install these software programs and drivers, click the icons to the right of these items.



Driver/Tool Installation Display Screen

Note: Click the icons showing a hand writing on the paper to view the readme files for each item. Click a computer icon to the right of an item (from top to the bottom) one at a time. **After installing each item, you must re-boot the system before proceeding with the next item on the list.** The bottom icon with a CD on it allows you to view the entire contents of the CD.

5-13 Configuring Supero Doctor III

The Supero Doctor III program is a web-based management tool that supports remote management capability. It includes Remote and Local Management tools. The local management is called the SD III Client. The Supero Doctor III program included on the CDROM that came with your motherboard allows you to monitor the environment and operations of your system. Supero Doctor III displays crucial system information such as CPU temperature, system voltages and fan status. See the Figure below for a display of the Supero Doctor III interface.

Notes: The default User Name and the Password are ADMIN.

In the Windows OS environment, the Supero Doctor III settings take precedence over the BIOS settings. When first installed, Supero Doctor III adopts the temperature threshold settings previously set in the BIOS. Any subsequent changes to these thresholds must be made within Supero Doctor, since the SD III settings override the BIOS settings. For the Windows OS to adopt the BIOS temperature threshold settings, please change the SDIII settings to be the same as those set in the BIOS.

Supero Doctor III Interface Display Screen-I (Health Information)





Note: SD III Software Revision 1.0 can be downloaded from our Web site at: ftp://ftp.supermicro.com/utility/Supero_Doctor_III/. You can also download SDIII User's Guide at: http://www.supermicro.com/manuals/other/SDIII_User_Guide.pdf. For Linux, we will still recommend that you use Supero Doctor II.

Notes

Chapter 6

Advanced Chassis Setup

This chapter covers the steps required to install components and perform maintenance on the SC808T-1200B chassis. For component installation, follow the steps in the order given to eliminate the most common problems encountered. If some steps are unnecessary, skip ahead to the step that follows. The only tool you will need to install components and perform maintenance is a Philips screwdriver.

6-1 Static-Sensitive Devices

Electrostatic Discharge (ESD) can damage electronic components. To prevent damage to any printed circuit boards (PCBs), it is important to handle them very carefully. The following measures are generally sufficient to protect your equipment from ESD discharge.

Precautions

- Use a grounded wrist strap designed to prevent static discharge.
- Touch a grounded metal object before removing any board from its antistatic bag.
- Handle a board by its edges only; do not touch its components, peripheral chips, memory modules or gold contacts.
- When handling chips or modules, avoid touching their pins.
- Put the serverboard, add-on cards and peripherals back into their antistatic bags when not in use.
- For grounding purposes, make sure your computer chassis provides excellent conductivity between the power supply, the case, the mounting fasteners and the serverboard.

Unpacking

The serverboard is shipped in antistatic packaging to avoid static damage. When unpacking the board, make sure the person handling it is static protected.

Figure 6-1. Chassis Front View

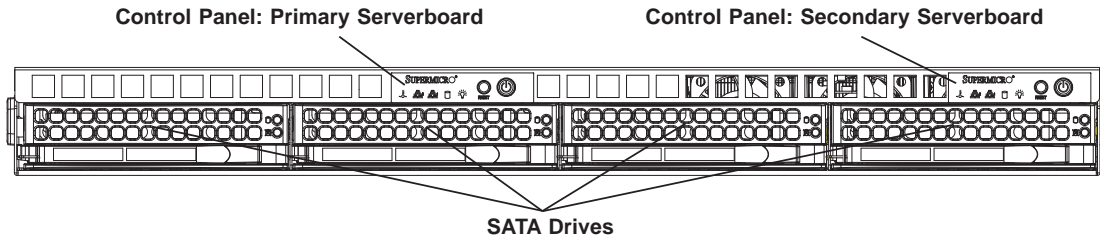
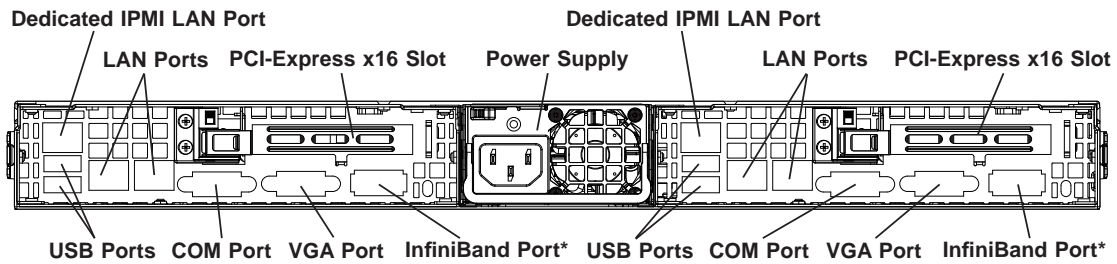


Figure 6-2. Chassis Rear View



*The InfiniBand ports are included on the 6016TT-IBXF and 6016TT-IBQF only.

6-2 Control Panel

Each control panel on the front of the chassis must be connected to the JF1 connector on its associated serverboard to provide you with system control buttons and status indicators. (When viewed from the front of the chassis, the serverboard on the left is referred to as the primary serverboard and the serverboard on the right as the secondary.)

These wires have been bundled together in a ribbon cable to simplify the connection. Connect the cable from JF1 on the serverboard to the control panel PCB (printed circuit board). Make sure the red wire plugs into pin 1 on both connectors. Pull all excess cabling out of the airflow path. The LEDs inform you of system status for the serverboard it is connected to. See Chapter 3 for details on the LEDs and the control panel buttons. Details on JF1 can be found in Chapter 5.

6-3 System Fans

Each node has three sets of 4-cm high-performance PWM fans to provide the cooling for the system (each set consists of two back-to-back counter-rotating fans). Fan speed may be controlled by a setting in BIOS (see Chapter 7).

System Fan Failure

If a fan fails, the remaining fans will ramp up to full speed and the overheat/fan fail LED on the control panel will blink on and off. Replace any failed fan at your earliest convenience with the same type and model (the system can continue to run with a failed fan). Remove the top chassis cover while the system is still running to determine which of the fans has failed. Then power down the system before replacing a fan. Removing the power cord is also recommended as a safety precaution.

6-4 Drive Bay Installation/Removal

Accessing the Drive Bays

SATA Drives: Because of their hot-swap capability, you do not need to access the inside of the chassis or power down the system to install or replace SATA drives. Proceed to the next step for instructions. **Note:** The operating system you use must have RAID support to enable the hot-swap capability of the SATA drives.



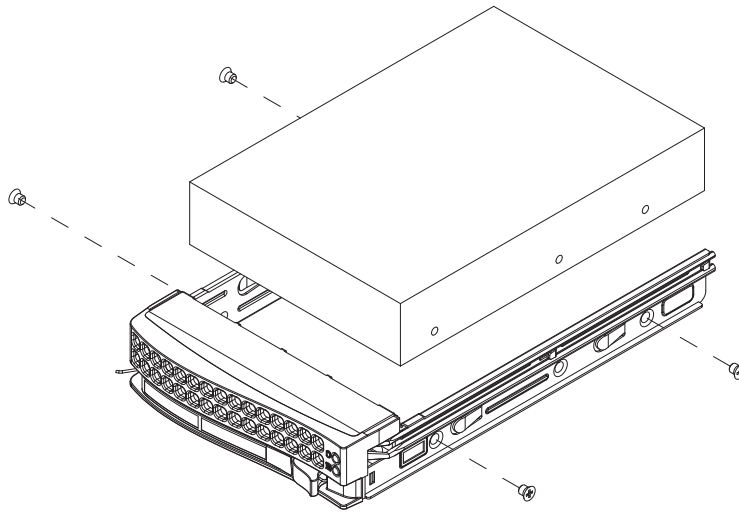
Use caution when working around the hard drive backplane. Do not touch the backplane with any metal objects and make sure no cables touch the backplane. Also, regardless of how many drives are installed, all twelve drive carriers must remain in the chassis to maintain proper airflow.

SATA Drive Installation

The SATA drives are mounted in drive carriers to simplify their installation and removal from the chassis. These carriers also help promote proper airflow for the system. For this reason, even empty carriers without drives installed must remain in the chassis.

Mounting a SATA Drive in a Carrier

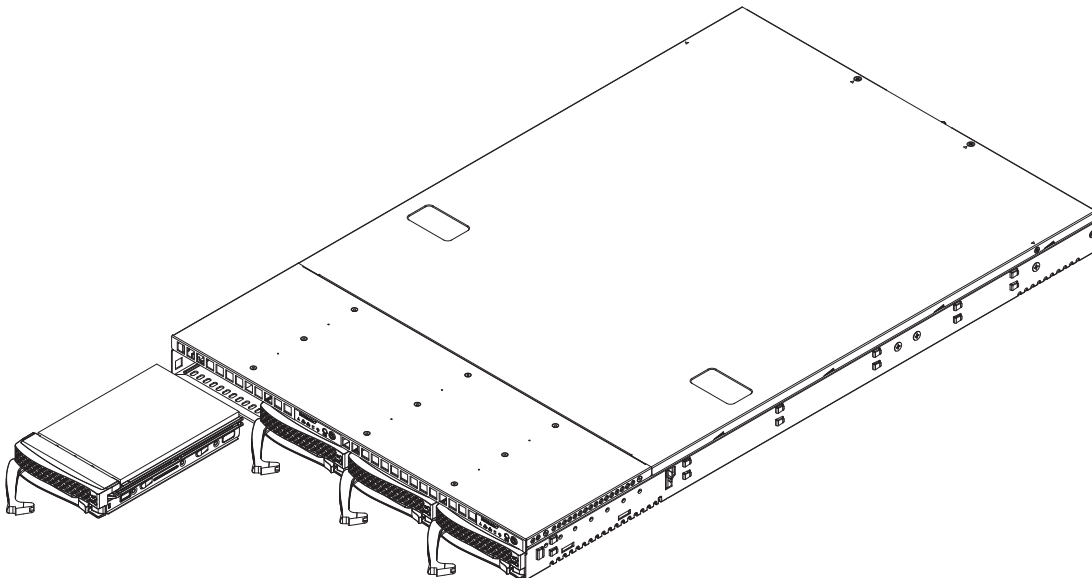
1. Install the drive into the carrier with the printed circuit board side facing down so that the mounting holes align with those in the carrier.
2. Secure the drive to the carrier with four screws, as shown in Figure 6-3.

Figure 6-3. Mounting a Drive in a Carrier

Enterprise level hard disk drives are recommended for use in Supermicro chassis and servers. For information on recommended HDDs, visit the Supermicro Web site at <http://www.supermicro.com/products/nfo/storage.cfm>

Installing/Removing Hot-swap SATA Drives

1. To remove a carrier, push the release button located beside the drive LEDs.
2. Swing the handle fully out and use it to pull the unit straight out (see Figure 6-4).

Figure 6-4. Removing a SATA Drive

6-5 Power Supply

The SuperServer 6016TT-TF/6016TT-IBXF/6016TT-IBQF has a single 1200W, cold-swap power supply. This power supply has the capability of operating at 100 - 240 input volts. Depress both main power buttons on the front of the chassis and then unplug the AC power cord to completely remove power from the system before removing the power supply.

Power Supply Failure

If the power supply unit fails, the system will shut down and you will need to replace the power supply unit. Replacement units can be ordered directly from Supermicro (see contact information in Chapter 1).

Replacing the Power Supply

Accessing the Inside of the System

1. Grasp the two handles on either side and pull the unit straight out until it locks (you will hear a "click").
2. The top cover of the chassis is secured with four screws: two at the top rear of the cover and one on each side lip, also near the back. Remove all four, then place both thumbs in the indentations and push the cover back until it slides off.
3. Lift the top cover from the chassis to gain full access to the inside of the server.

Removing the Power Supply

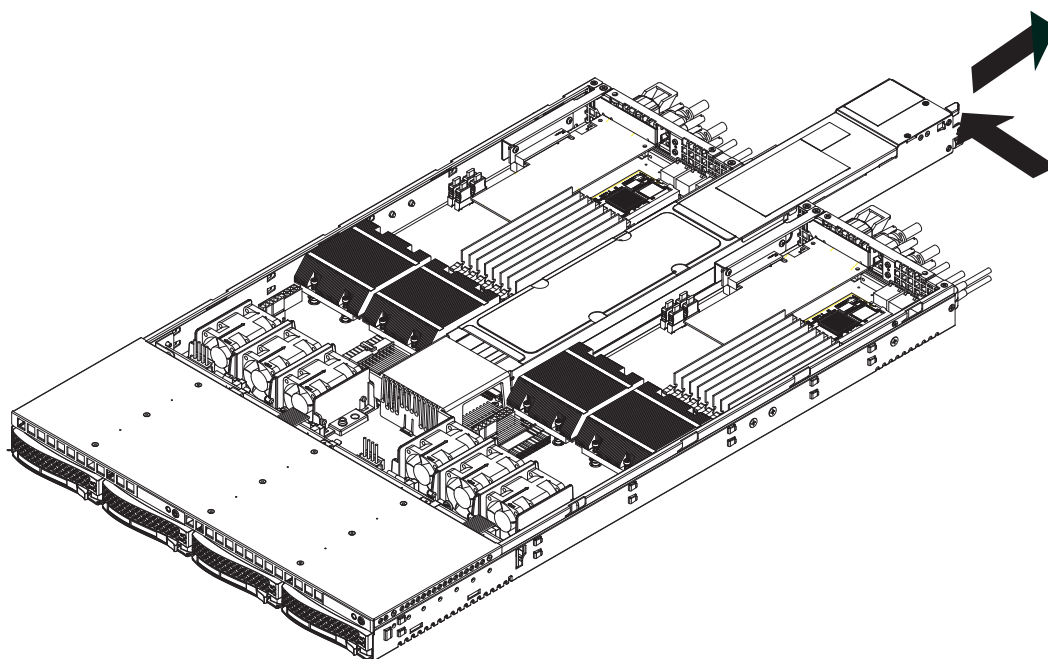
1. Power off both nodes and unplug the power cord from the system.
2. To remove the failed power unit, remove the two screws on the back of the power supply, which secure it to the chassis.
3. Lift the unit straight out of the chassis. (See Figure 6-5.)

Installing a New Power Supply

1. Replace the failed power supply with the exact same model from Supermicro.
2. Carefully insert the new unit into position in the chassis and secure it with the two screws at the rear of the unit.

3. Replace the chassis top cover and push the unit back into the rack.
4. Reconnect the AC power cord and then depress the power buttons on the front of the chassis to resupply power to both nodes

Figure 6-4. Removing the Power Supply



Chapter 7

BIOS

7-1 Introduction

This chapter describes the AMI BIOS Setup Utility for the X8DTT/-F/-IBX/-IBXF/-IBQ/-IBQF. The AMI ROM BIOS is stored in a Flash EEPROM and can be easily updated. This chapter describes the basic navigation of the AMI BIOS Setup Utility setup screens.

Starting BIOS Setup Utility

To enter the AMI BIOS Setup Utility screens, press the <Delete> key while the system is booting up.

Note: In most cases, the <Delete> key is used to invoke the AMI BIOS setup screen. There are a few cases when other keys are used, such as <F1>, <F2>, etc.

Each main BIOS menu option is described in this manual. The Main BIOS setup menu screen has two main frames. The left frame displays all the options that can be configured. Grayed-out options cannot be configured. Options in blue can be configured by the user. The right frame displays the key legend. Above the key legend is an area reserved for a text message. When an option is selected in the left frame, it is highlighted in white. Often a text message will accompany it. (**Note:** the AMI BIOS has default text messages built in. Supermicro retains the option to include, omit, or change any of these text messages.)

The AMI BIOS Setup Utility uses a key-based navigation system called "hot keys". Most of the AMI BIOS setup utility "hot keys" can be used at any time during the setup navigation process. These keys include <F1>, <F10>, <Enter>, <ESC>, arrow keys, etc.

Note: Options printed in **Bold** are default settings.

How To Change the Configuration Data

The configuration data that determines the system parameters may be changed by entering the AMI BIOS Setup utility. This Setup utility can be accessed by pressing at the appropriate time during system boot.

Starting the Setup Utility

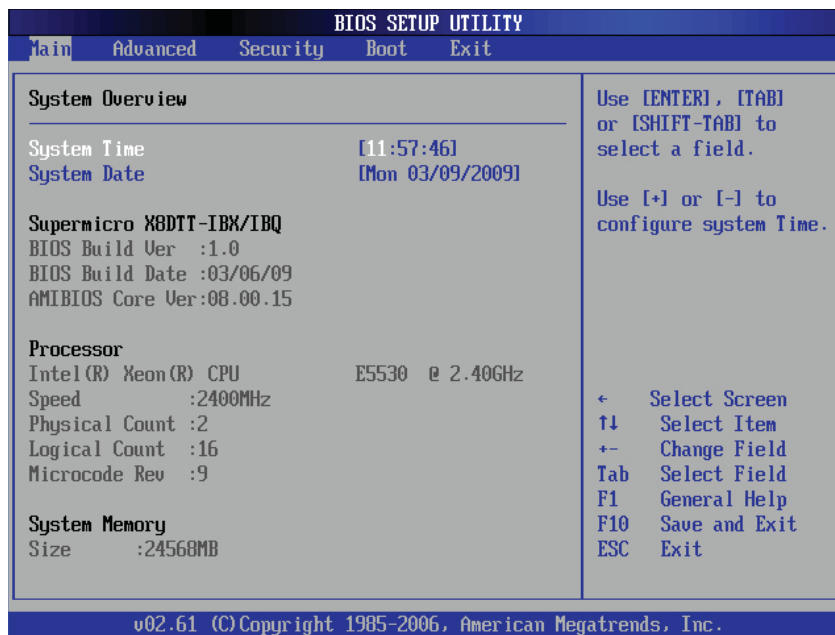
Normally, the only visible Power-On Self-Test (POST) routine is the memory test. As the memory is being tested, press the <Delete> key to enter the main menu of the AMI BIOS Setup Utility. From the main menu, you can access the other setup screens. An AMI BIOS identification string is displayed at the left bottom corner of the screen below the copyright message.



Warning! Do not upgrade the BIOS unless your system has a BIOS-related issue. Flashing the wrong BIOS can cause irreparable damage to the system. In no event shall Supermicro be liable for direct, indirect, special, incidental, or consequential damages arising from a BIOS update. If you have to update the BIOS, do not shut down or reset the system while the BIOS is updating. This is to avoid possible boot failure.

7-2 Main Setup

When you first enter the AMI BIOS Setup Utility, you will enter the Main setup screen. You can always return to the Main setup screen by selecting the Main tab on the top of the screen. The Main BIOS Setup screen is shown below.



System Overview: The following BIOS information will be displayed:

System Time/System Date

Use this option to change the system time and date. Highlight *System Time* or *System Date* using the arrow keys. Enter new values through the keyboard. Press the <Tab> key or the arrow keys to move between fields. The date must be entered in Day MM/DD/YY format. The time is entered in HH:MM:SS format. (**Note:** The time is in the 24-hour format. For example, 5:30 P.M. appears as 17:30:00.)

Supermicro X8DTT/-F/-IBX/-IBXF/-IBQ/-IBQF

- **BIOS Build Version:** This item displays the BIOS revision used in your system.
- **BIOS Build Date:** This item displays the date when this BIOS was completed.
- **AMI BIOS Core Version:** This item displays the revision number of the AMI BIOS Core upon which your BIOS was built.

Processor

The AMI BIOS will automatically display the status of the processor used in your system:

- **CPU Type:** This item displays the type of CPU used in the motherboard.
- **Speed:** This item displays the speed of the CPU detected by the BIOS.
- **Physical Count:** This item displays the number of processors installed in your system as detected by the BIOS.
- **Logical Count:** This item displays the number of CPU Cores installed in your system as detected by the BIOS.
- **Micro_code Revision:** This item displays the revision number of the BIOS Micro_code used in your system.

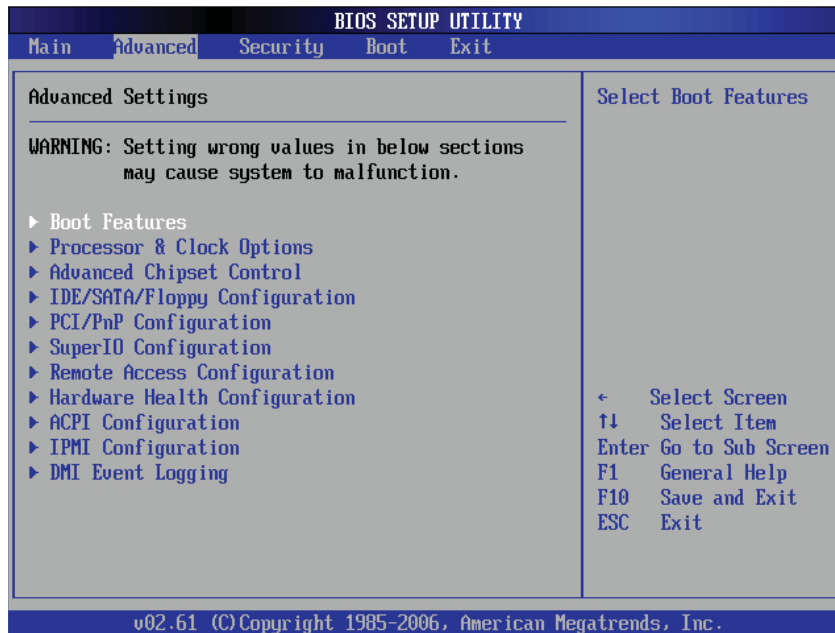
System Memory

This displays the size of memory available in the system:

- **Size:** This item displays the memory size detected by the BIOS.

7-3 Advanced Setup Configurations

Use the arrow keys to select Boot Setup and hit <Enter> to access the submenu items:



► BOOT Features

Quick Boot

If Enabled, this option will skip certain tests during POST to reduce the time needed for system boot. The options are **Enabled** and Disabled.

Quiet Boot

This option allows the bootup screen options to be modified between POST messages or the OEM logo. Select Disabled to display the POST messages. Select Enabled to display the OEM logo instead of the normal POST messages. The options are **Enabled** and Disabled.

AddOn ROM Display Mode

This sets the display mode for Option ROM. The options are **Force BIOS** and Keep Current.

Bootup Num-Lock

This feature selects the Power-on state for Numlock key. The options are Off and **On**.

Wait For 'F1' If Error

This forces the system to wait until the 'F1' key is pressed if an error occurs. The options are Disabled and **Enabled**.

Hit 'Del' Message Display

This feature displays "Press DEL to run Setup" during POST. The options are **Enabled** and Disabled.

Interrupt 19 Capture

Interrupt 19 is the software interrupt that handles the boot disk function. When this item is set to Enabled, the ROM BIOS of the host adaptors will "capture" Interrupt 19 at boot and allow the drives that are attached to these host adaptors to function as bootable disks. If this item is set to Disabled, the ROM BIOS of the host adaptors will not capture Interrupt 19, and the drives attached to these adaptors will not function as bootable devices. The options are **Enabled** and Disabled.

Power Configuration

Power Button Function

If set to Instant_Off, the system will power off immediately as soon as the user hits the power button. If set to 4_Second_Override, the system will power off when the user presses the power button for 4 seconds or longer. The options are **Instant_Off** and 4_Second_Override.

Restore on AC Power Loss

Use this feature to set the power state after a power outage. Select Power-Off for the system power to remain off after a power loss. Select Power-On for the system power to be turned on after a power loss. Select Last State to allow the system to resume its last state before a power loss. The options are Power-On, Power-Off and **Last State**.

Watch Dog Timer

If enabled, the Watch Dog Timer will allow the system to reboot when it is inactive for more than 5 minutes. The options are Enabled and **Disabled**.

► Processor and Clock Options

This submenu allows the user to configure the Processor and Clock settings.

Ratio CMOS Setting

This option allows the user to set the ratio between the CPU Core Clock and the FSB Frequency. (**Note:** if an invalid ratio is entered, the AMI BIOS will restore the setting to the previous state.) The default setting depends on the type of CPU installed on the motherboard. The default setting for the CPU installed in your motherboard is **[18]**. Press "+" or "-" on your keyboard to change this value.

C1E Support

Select Enabled to use the feature of Enhanced Halt State. C1E significantly reduces the CPU's power consumption by reducing the CPU's clock cycle and voltage during a "Halt State." The options are Disabled and **Enabled**.

Hardware Prefetcher (Available when supported by the CPU)

If set to Enabled, the hardware pre fetcher will pre fetch streams of data and instructions from the main memory to the L2 cache in the forward or backward manner to improve CPU performance. The options are Disabled and **Enabled**.

Adjacent Cache Line Prefetch (Available when supported by the CPU)

The CPU fetches the cache line for 64 bytes if this option is set to Disabled. The CPU fetches both cache lines for 128 bytes as comprised if **Enabled**.

Intel® Virtualization Technology (Available when supported by the CPU)

Select Enabled to use the feature of Virtualization Technology to allow one platform to run multiple operating systems and applications in independent partitions, creating multiple "virtual" systems in one physical computer. The options are **Enabled** and Disabled. **Note:** If there is any change to this setting, you will need to power off and restart the system for the change to take effect. Please refer to Intel's web site for detailed information.

Execute-Disable Bit Capability (Available when supported by the OS and the CPU)

Set to Enabled to enable the Execute Disable Bit which will allow the processor to designate areas in the system memory where an application code can execute and where it cannot, thus preventing a worm or a virus from flooding illegal codes to overwhelm the processor or damage the system during an attack. The default is **Enabled**. (Refer to Intel and Microsoft Web Sites for more information.)

Simultaneous Multi-Threading (Available when supported by the CPU)

Set to Enabled to use the Simultaneous Multi-Threading Technology, which will result in increased CPU performance. The options are Disabled and **Enabled**.

Active Processor Cores

Set to Enabled to use a processor's Second Core and beyond. (Please refer to Intel's web site for more information.) The options are **All**, 1 and 2.

Intel® EIST Technology

EIST (Enhanced Intel SpeedStep Technology) allows the system to automatically adjust processor voltage and core frequency in an effort to reduce power consump-

tion and heat dissipation. **Please refer to Intel's web site for detailed information.** The options are Disable (Disable GV3) and **Enable (Enable GV3)**.

Intel® TurboMode Technology

Select Enabled to use the Turbo Mode to boost system performance. The options are **Enabled** and Disabled.

Intel® C-STATE Tech

If enabled, C-State is set by the system automatically to either C2, C3 or C4 state. The options are Disabled and **Enabled**.

C-State package limit setting

If set to Auto, the AMI BIOS will automatically set the limit on the C-State package register. The options are **Auto**, C1, C3, C6 and C7.

C1 Auto Demotion

When enabled, the CPU will conditionally demote C3, C6 or C7 requests to C1 based on un-core auto-demote information. The options are Disabled and **Enabled**.

C3 Auto Demotion

When enabled, the CPU will conditionally demote C6 or C7 requests to C3 based on un-core auto-demote information. The options are Disabled and **Enabled**.

Clock Spread Spectrum

Select Enable to use the feature of Clock Spectrum, which will allow the BIOS to monitor and attempt to reduce the level of Electromagnetic Interference caused by the components whenever needed. The options are **Disabled** and Enabled.

► Advanced Chipset Control

The items included in the Advanced Settings submenu are listed below:

► CPU Bridge Configuration

QPI Links Speed

This feature selects QPI's data transfer speed. The options are Slow-mode, and **Full Speed**.

QPI Frequency

This selects the desired QPI frequency. The options are **Auto**, 4.800 GT, 5.866GT, 6.400 GT.

QPI L0s and L1

This enables the QPI power state to low power. L0s and L1 are automatically selected by the motherboard. The options are **Disabled** and Enabled.

Memory Frequency

This feature forces a DDR3 frequency slower than what the system has detected. The available options are **Auto**, Force DDR-800, Force DDR-1066, Force DDR-1333.

Memory Mode

The options are **Independent**, Channel Mirror, Lockstep and Sparing.

Independent - All DIMMs are available to the operating system.

Channel Mirror - The motherboard maintains two identical copies of all data in memory for redundancy.

Lockstep - The motherboard uses two areas of memory to run the same set of operations in parallel.

Sparing - A preset threshold of correctable errors is used to trigger fail-over. The spare memory is put online and used as active memory in place of the failed memory.

Demand Scrubbing

A memory error-correction scheme where the Processor writes corrected data back into the memory block from where it was read by the Processor. The options are Enabled and **Disabled**.

Patrol Scrubbing

A memory error-correction scheme that works in the background looking for and correcting resident errors. The options are Enabled and **Disabled**.

Throttling - Closed Loop/Throttling - Open Loop

Throttling improves reliability and reduces power in the processor by automatic voltage control during processor idle states. Available options are **Disabled** and Enabled. If Enabled, the following items will appear:

Hysteresis Temperature (For the Closed Loop only)

Temperature Hysteresis is the temperature lag (in degrees Celsius) after the set DIMM temperature threshold is reached before Closed Loop Throttling begins. The options are Disabled, **1.5°C**, 3.0°C, and 6.0°C.

Guardband Temperature (For the Closed Loop only)

This is the temperature which applies to the DIMM temperature threshold. Each step is in 0.5°C increment. The default is **[006]**. Press "+" or "-" on your keyboard to change this value.

Inlet Temperature

This is the temperature detected at the chassis inlet. Each step is in 0.5°C increment. The default is **[070]**. Press "+" or "-" on your keyboard to change this value.

Temperature Rise

This is the temperature rise to the DIMM thermal zone. Each step is in 0.5°C increment. The default is **[020]**. Press "+" or "-" on your keyboard to change this value.

Air Flow

This is the air flow speed to the DIMM modules. Each step is one mm/sec. The default is **[1500]**. Press "+" or "-" on your keyboard to change this value.

Altitude

This feature defines how many meters above or below sea level the system is located. The options are **Sea Level or Below**, 1~300, 301~600, 601~900, 901~1200, 1201~1500, 1501~1800, 1801~2100, 2101~2400, 2401~2700, 2701~3000.

DIMM Pitch

This is the physical space between each DIMM module. Each step is in 1/1000 of an inch. The default is **[400]**. Press "+" or "-" on your keyboard to change this value.

► North Bridge Configuration

This feature allows the user to configure the settings for the Intel North Bridge chip.

Crystal Beach/DMA

This feature works with the Intel I/O AT (Acceleration Technology) to accelerate the performance of TOE devices. (**Note:** A TOE device is a specialized, dedicated processor that is installed on an add-on card or a network card to handle some or all packet processing of this add-on card.) When this feature is set to Enabled, it will enhance overall system performance by providing direct memory access for data transferring. The options are Enabled and **Disabled**.

Intel VT-d

Select Enabled to enable Intel's Virtualization Technology support for Direct I/O VT-d by reporting the I/O device assignments to VMM through the DMAR ACPI Tables. This feature offers fully-protected I/O resource-sharing across the Intel platforms, providing the user with greater reliability, security and availability in networking and data-sharing. The settings are Enabled and **Disabled**.

IOH PCIE Port1 Bifurcation

This feature allows the user to set IOH Bifurcation configuration for the PCI-E Port 1. The options are X4X4X4X4, X4X4X8, X8X4X4, X8X8.

IOH PCIE Max Payload Size

Some add-on cards perform faster with the coalesce feature, which limits the payload size to 128 MB; while others, with a payload size of 256 MB which inhibits the coalesce feature. Please refer to your add-on card user guide for the desired setting. The options are 256 MB and 128MB.

► SouthBridge Configuration

This feature allows the user to configure the settings for the Intel ICH South Bridge chipset.

USB Functions

This feature allows the user to decide the number of onboard USB ports to be enabled. The Options are: Disabled, 2 USB ports, 4 USB ports, 6 USB ports, 8 Ports, 10 Ports and **12 USB ports**.

Legacy USB Support

Select Enabled to use Legacy USB devices. If this item is set to Auto, Legacy USB support will be automatically enabled if a legacy USB device is installed on the motherboard, and vice versa. The settings are Disabled, and **Enabled**.

USB 2.0 Controller

Select Enabled to activate the onboard USB 2.0 controller. The options are **Enabled** and Disabled.

USB 2.0 Controller Mode

This setting allows you to select the USB 2.0 Controller mode. The options are **Hi-Speed (480 Mbps)** and Full Speed (12 Mbps).

BIOS EHCI Hand-Off

Select Enabled to enable BIOS Enhanced Host Controller Interface support to provide a workaround solution for an operating system that does not have EHCI

Hand-Off support. When enabled, the EHCI Interface will be changed from the BIOS-controlled to the OS-controlled. The options are Disabled and **Enabled**.

► IDE/SATA Configuration

When this submenu is selected, the AMI BIOS automatically detects the presence of the IDE devices and displays the following items:

SATA#1 Configuration

If Compatible is selected, it sets SATA#1 to legacy compatibility mode, while selecting Enhanced sets SATA#1 to native SATA mode. The options are Disabled, Compatible and **Enhanced**.

Configure SATA#1 as

This feature allows the user to select the drive type for SATA#1. The options are **IDE**, RAID and AHCI.

SATA#2 Configuration

Selecting Enhanced will set SATA#2 to native SATA mode. The options are Disabled, and **Enhanced**.

Primary IDE Master/Slave, Secondary IDE Master/Slave, Third IDE Master, and Fourth IDE Master

These settings allow the user to set the parameters of Primary IDE Master/Slave, Secondary IDE Master/Slave, Third and Fourth IDE Master slots. Hit <Enter> to activate the following submenu screen for detailed options of these items. Set the correct configurations accordingly. The items included in the submenu are:

Type

Select the type of device connected to the system. The options are Not Installed, **Auto**, CD/DVD and ARMD.

LBA/Large Mode

LBA (Logical Block Addressing) is a method of addressing data on a disk drive. In the LBA mode, the maximum drive capacity is 137 GB. For drive capacities over 137 GB, your system must be equipped with a 48-bit LBA mode addressing. If not, contact your manufacturer or install an ATA/133 IDE controller card that supports 48-bit LBA mode. The options are Disabled and **Auto**.

Block (Multi-Sector Transfer)

Block Mode boosts the IDE drive performance by increasing the amount of data transferred. Only 512 bytes of data can be transferred per interrupt if Block Mode

is not used. Block Mode allows transfers of up to 64 KB per interrupt. Select Disabled to allow data to be transferred from and to the device one sector at a time. Select Auto to allow data transfer from and to the device occur multiple sectors at a time if the device supports it. The options are **Auto** and Disabled.

PIO Mode

The IDE PIO (Programmable I/O) Mode programs timing cycles between the IDE drive and the programmable IDE controller. As the PIO mode increases, the cycle time decreases. The options are **Auto**, 0, 1, 2, 3, and 4.

Select Auto to allow the AMI BIOS to automatically detect the PIO mode. Use this value if the IDE disk drive support cannot be determined.

Select 0 to allow the AMI BIOS to use PIO mode 0. It has a data transfer rate of 3.3 MBs.

Select 1 to allow the AMI BIOS to use PIO mode 1. It has a data transfer rate of 5.2 MBs.

Select 2 to allow the AMI BIOS to use PIO mode 2. It has a data transfer rate of 8.3 MBs.

Select 3 to allow the AMI BIOS to use PIO mode 3. It has a data transfer rate of 11.1 MBs.

Select 4 to allow the AMI BIOS to use PIO mode 4. It has a data transfer bandwidth of 32-Bits. Select Enabled to enable 32-Bit data transfer.

DMA Mode

Select Auto to allow the BIOS to automatically detect IDE DMA mode when the IDE disk drive support cannot be determined.

Select SWDMA0 to allow the BIOS to use Single Word DMA mode 0. It has a data transfer rate of 2.1 MBs.

Select SWDMA1 to allow the BIOS to use Single Word DMA mode 1. It has a data transfer rate of 4.2 MBs.

Select SWDMA2 to allow the BIOS to use Single Word DMA mode 2. It has a data transfer rate of 8.3 MBs.

Select MWDMA0 to allow the BIOS to use Multi Word DMA mode 0. It has a data transfer rate of 4.2 MBs.

Select MWDMA1 to allow the BIOS to use Multi Word DMA mode 1. It has a data transfer rate of 13.3 MBs.

Select MWDMA2 to allow the BIOS to use Multi-Word DMA mode 2. It has a data transfer rate of 16.6 MBs.

Select UDMA0 to allow the BIOS to use Ultra DMA mode 0. It has a data transfer rate of 16.6 MBs. It has the same transfer rate as PIO mode 4 and Multi Word DMA mode 2.

Select UDMA1 to allow the BIOS to use Ultra DMA mode 1. It has a data transfer rate of 25 MBs.

Select UDMA2 to allow the BIOS to use Ultra DMA mode 2. It has a data transfer rate of 33.3 MBs.

Select UDMA3 to allow the BIOS to use Ultra DMA mode 3. It has a data transfer rate of 66.6 MBs.

Select UDMA4 to allow the BIOS to use Ultra DMA mode 4. It has a data transfer rate of 100 MBs. The options are **Auto**, SWDMAn, MWDMAAn, and UDMAAn.

S.M.A.R.T. For Hard disk drives

Self-Monitoring Analysis and Reporting Technology (SMART) can help predict impending drive failures. Select Auto to allow the AMI BIOS to automatically detect hard disk drive support. Select Disabled to prevent the AMI BIOS from using the S.M.A.R.T. Select Enabled to allow the AMI BIOS to use the S.M.A.R.T. to support hard drive disk. The options are Disabled, Enabled, and **Auto**.

32Bit Data Transfer

Select Enable to enable the function of 32-bit IDE data transfer. The options are **Enabled** and Disabled.

IDE Detect Timeout (sec)

Use this feature to set the time-out value for the BIOS to detect the ATA, ATAPI devices installed in the system. The options are 0 (sec), 5, 10, 15, 20, 25, 30, and 35.

►PCI/PnP Configuration

Clear NVRAM

This feature clears the NVRAM during system boot. The options are **No** and Yes.

Plug & Play OS

Selecting Yes allows the OS to configure Plug & Play devices. (This is not required for system boot if your system has an OS that supports Plug & Play.) Select **No** to allow the AMI BIOS to configure all devices in the system.

PCI Latency Timer

This feature sets the latency Timer of each PCI device installed on a PCI bus. Select 64 to set the PCI latency to 64 PCI clock cycles. The options are 32, **64**, 96, 128, 160, 192, 224 and 248.

PCI IDE BusMaster

When enabled, the BIOS uses PCI bus mastering for reading/writing to IDE drives. The options are Disabled and **Enabled**.

Load Onboard LAN1 Option ROM/Load Onboard LAN2 Option ROM

Select Enabled to enable the onboard LAN1 or LAN2 Option ROM. This is to boot computer using a network interface. The options are Enabled and **Disabled**.

► Super IO Device Configuration**Serial Port1 Address/ Serial Port2 Address**

This option specifies the base I/O port address and the Interrupt Request address of Serial Port 1 and Serial Port 2. Select Disabled to prevent the serial port from accessing any system resources. When this option is set to Disabled, the serial port physically becomes unavailable. Select 3F8/IRQ4 to allow the serial port to use 3F8 as its I/O port address and IRQ 4 for the interrupt address. The options for Serial Port1 are Disabled, **3F8/IRQ4**, 3E8/IRQ4, 2E8/IRQ3. The options for Serial Port2 are Disabled, **2F8/IRQ3**, 3E8/IRQ4, and 2E8/IRQ3.

► Remote Access Configuration**Remote Access**

This allows the user to enable the Remote Access feature. The options are **Disabled** and Enabled.

If Remote Access is set to Enabled, the following items will display:

Serial Port Number

This feature allows the user decide which serial port to be used for Console Redirection. The options are COM 1 and **COM 2**.

Serial Port Mode

This feature allows the user to set the serial port mode for Console Redirection. The options are **115200 8, n 1**; 57600 8, n, 1; 38400 8, n, 1; 19200 8, n, 1; and 9600 8, n, 1.

Flow Control

This feature allows the user to set the flow control for Console Redirection. The options are **None**, Hardware, and Software.

Redirection After BIOS POST

Select Disabled to turn off Console Redirection after Power-On Self-Test (POST). Select Always to keep Console Redirection active all the time after POST. (Note: This setting may not be supported by some operating systems.) Select Boot Loader to keep Console Redirection active during POST and Boot Loader. The options are Disabled, Boot Loader, and **Always**.

Terminal Type

This feature allows the user to select the target terminal type for Console Redirection. The options are ANSI, **VT100**, and VT-UTF8.

VT-UTF8 Combo Key Support

A terminal keyboard definition that provides a way to send commands from a remote console. Available options are **Enabled** and Disabled.

Sredir Memory Display Delay

This feature defines the length of time in seconds to display memory information. The options are **No Delay**, Delay 1 Sec, Delay 2 Sec, and Delay 4 Sec.

► Hardware Health Monitor

This feature allows the user to monitor system health and review the status of each item as displayed.

CPU Overheat Alarm

This option allows the user to select the CPU Overheat Alarm setting which determines when the CPU OH alarm will be activated to provide warning of possible CPU overheat.



Warning: Any temperature that exceeds the CPU threshold temperature predefined by the CPU manufacturer may result in CPU overheat or system instability. When the CPU temperature reaches this predefined threshold, the CPU and system cooling fans will run at full speed.

The options are:

- The Early Alarm: Select this setting if you want the CPU overheat alarm (including the LED and the buzzer) to be triggered as soon as the CPU temperature reaches the CPU overheat threshold as predefined by the CPU manufacturer.
- **The Default Alarm:** Select this setting if you want the CPU overheat alarm (including the LED and the buzzer) to be triggered when the CPU temperature reaches about 5°C above the threshold temperature as predefined by the CPU manufacturer to give the CPU and system fans additional time needed for CPU

and system cooling. In both the alarms above, please take immediate action as shown below. (See the notes on P. 4-18 for more information.)

CPU Temperature/System Temperature

This feature displays current temperature readings for the CPU and the System.

The following items will be displayed for your reference only:

CPU Temperature

The CPU thermal technology that reports absolute temperatures (Celsius/Fahrenheit) has been upgraded to a more advanced feature by Intel in its newer processors. The basic concept is each CPU is embedded by unique temperature information that the motherboard can read. This 'Temperature Threshold' or 'Temperature Tolerance' has been assigned at the factory and is the baseline on which the motherboard takes action during different CPU temperature conditions (i.e., by increasing CPU Fan speed, triggering the Overheat Alarm, etc). Since CPUs can have different 'Temperature Tolerances', the installed CPU can now send information to the motherboard what its 'Temperature Tolerance' is, and not the other way around. This results in better CPU thermal management.

Supermicro has leveraged this feature by assigning a temperature status to certain thermal conditions in the processor (Low, Medium and High). This makes it easier for the user to understand the CPU's temperature status, rather than by just simply seeing a temperature reading (i.e., 25°C). The CPU Temperature feature will display the CPU temperature status as detected by the BIOS:

Low – This level is considered as the 'normal' operating state. The CPU temperature is well below the CPU 'Temperature Tolerance'. The motherboard fans and CPU will run normally as configured in the BIOS (Fan Speed Control).

User intervention: No action required.

Medium – The processor is running warmer. This is a 'precautionary' level and generally means that there may be factors contributing to this condition, but the CPU is still within its normal operating state and below the CPU 'Temperature Tolerance'. The motherboard fans and CPU will run normally as configured in the BIOS. The fans may adjust to a faster speed depending on the Fan Speed Control settings.

User intervention: No action is required. However, consider checking the CPU fans and the chassis ventilation for blockage.

High – The processor is running hot. This is a 'caution' level since the CPU's 'Temperature Tolerance' has been reached (or has been exceeded) and may activate an overheat alarm.

User intervention: If the system buzzer and Overheat LED has activated, take action immediately by checking the system fans, chassis ventilation and room temperature to correct any problems.

Notes: The system may shut down if it continues for a long period to prevent damage to the CPU. The information provided above is for your reference only. For more information on thermal management, please refer to Intel's Web site at www.Intel.com.

System Temperature: The system temperature will be displayed (in degrees in Celsius and Fahrenheit) as it is detected by the BIOS.

Fan Speed Control Monitor

This feature allows the user to decide how the system controls the speeds of the onboard fans. The CPU temperature and the fan speed are correlative. When the CPU on-die temperature increases, the fan speed will also increase, and vice versa. Select Workstation if your system is used as a Workstation. Select Server if your system is used as a Server. Select "Disabled, (Full Speed @12V)" to disable the fan speed control function and allow the onboard fans to constantly run at the full speed (12V). The Options are: 1. **Disabled (Full Speed)**, 2. Server Mode, 3. Workstation Mode.

Fan1 ~ Fan 4 Reading

This feature displays the fan speed readings from fan interfaces Fan1 through Fan5.

CPU1 Vcore, CPU2 Vcore, +5Vin, +12Vcc (V), VPI DIMM, VP2 DIMM, 3.3Vcc (V), and Battery Voltage

►ACPI Configuration

Use this feature to configure Advanced Configuration and Power Interface (ACPI) power management settings for your system.

ACPI Version Features

The options are ACPI v1.0, **ACPI v2.0** and ACPI v3.0. Please refer to ACPI's website for further explanation: <http://www.acpi.info/>.

ACPI APIC Support

Select Enabled to include the ACPI APIC Table Pointer in the RSDT pointer list. The options are **Enabled** and Disabled.

APIC ACPI SCI IRQ

When this item is set to Enabled, APIC ACPI SCI IRQ is supported by the system. The options are Enabled and **Disabled**.

USB Device Wakeup from S3/S4

Select to Enabled to allow USB devices to wakeup from S3/S4 state. The options are Enabled and **Disabled**.

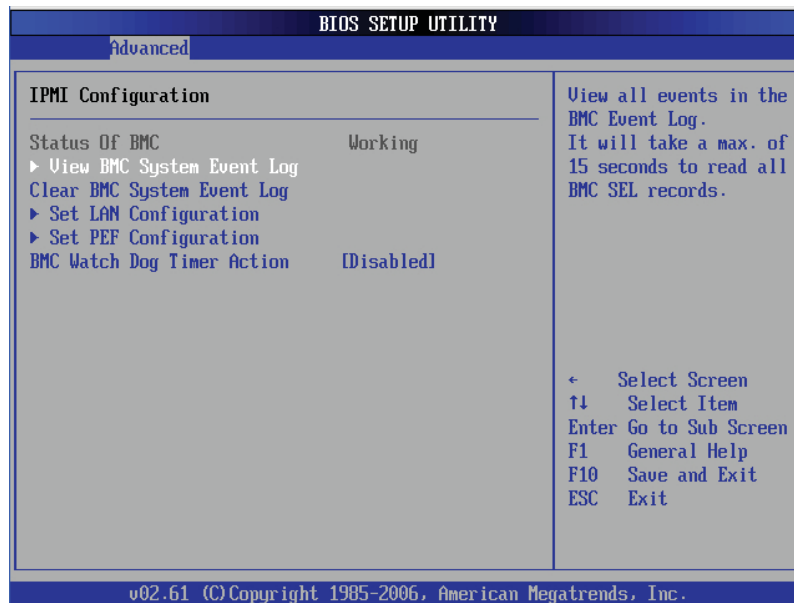
High Performance Event Timer

Select Enabled to activate the High Performance Event Timer (HPET) that produces periodic interrupts at a much higher frequency than a Real-time Clock (RTC) does in synchronizing multimedia streams, providing smooth playback and reducing the dependency on other timestamp calculation devices, such as an x86 RDTSC Instruction embedded in the CPU. The High Performance Event Timer is used to replace the 8254 Programmable Interval Timer. The options are Enabled and **Disabled**.

► IPMI Configuration (X8DTT-F/-IBXF/-IBQF Only)

Intelligent Platform Management Interface (IPMI) is a set of common interfaces that IT administrators can use to monitor system health and to manage the system as a whole. For more information on the IPMI specifications, please visit Intel's website at www.intel.com.

Status of BMC

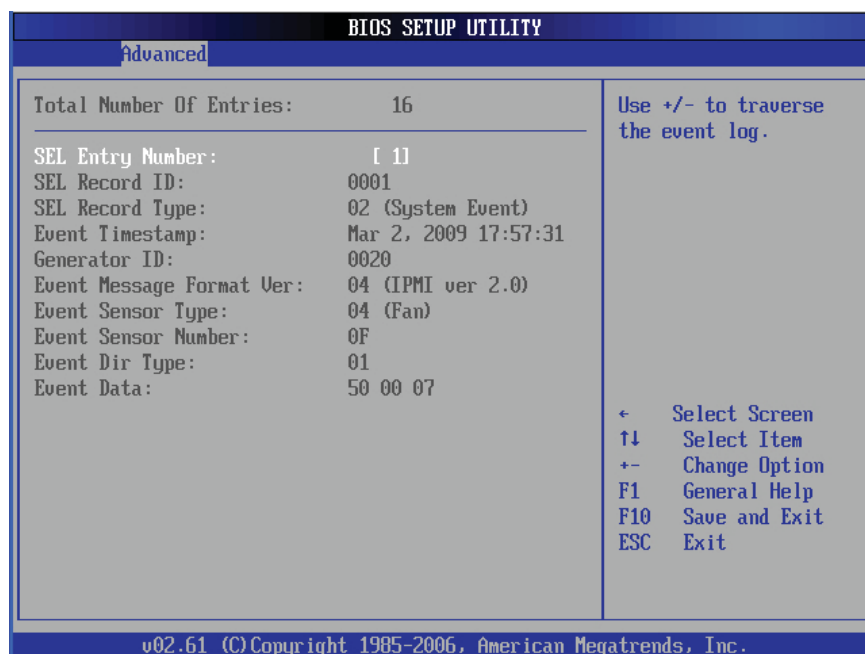


Baseboard Management Controller (BMC) manages the interface between system management software and platform hardware. This is an informational feature which returns the status code of the BMC micro controller.

► View BMC System Event Log

This feature displays the BMC System Event Log (SEL). It shows the total number of entries of BMC System Events. To view an event, select an Entry Number and pressing <Enter> to display the information as shown in the screen.

- Total Number of Entries



- SEL Entry Number
- SEL Record ID
- SEL Record Type
- Timestamp, Generator ID
- Event Message Format User
- Event Sensor Type
- Event Sensor Number,
- Event Dir Type
- Event Data.

Clear BMC System Event Log

This feature is used to clear the BMC System Event Log.

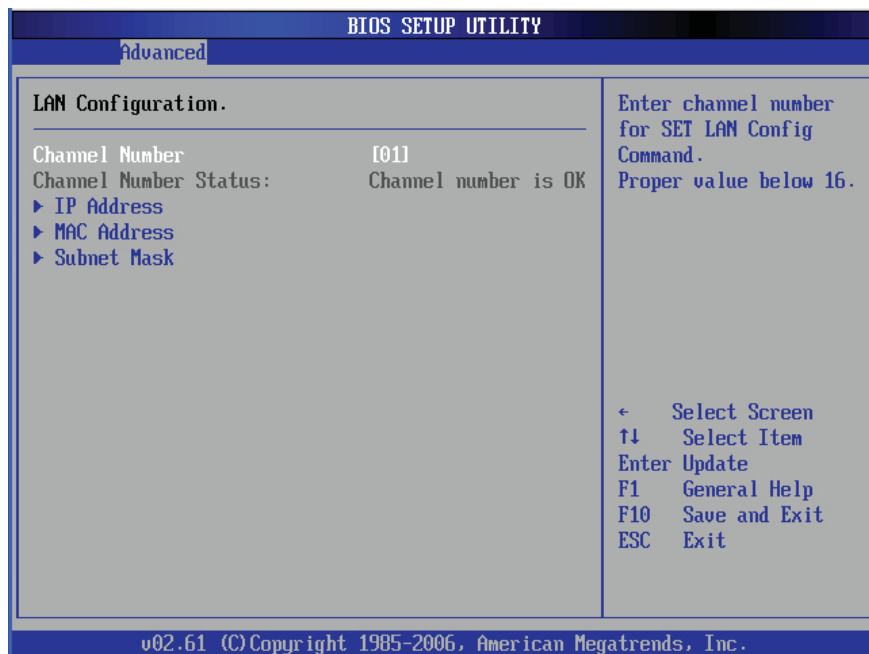
Caution: Any cleared information is unrecoverable. Make absolutely sure that you no longer need any data stored in the log before clearing the BMC Event Log.



► Set LAN Configuration

Set this feature to configure the IPMI LAN adapter with a network address.

Channel Number - Enter the channel number for the SET LAN Config command. This is initially set to [1]. Press "+" or "-" on your keyboard to change



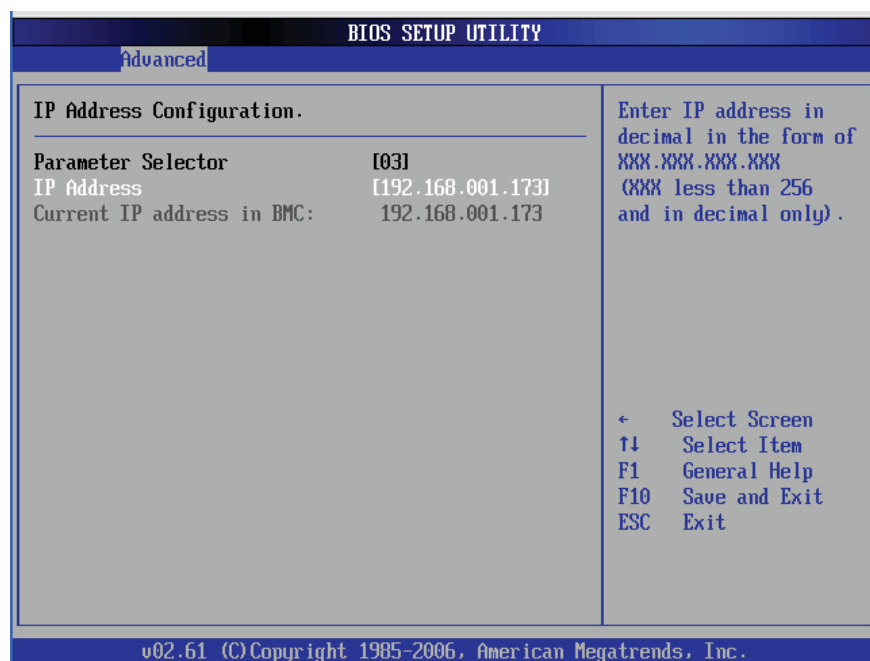
the Channel Number.

Channel Number Status - This feature returns the channel status for the Channel Number selected above: "Channel Number is OK" or "Wrong Channel Number".

▶ IP Address Configuration

Enter the IP address for this machine. This should be in decimal and in dotted quad form (i.e., 192.168.10.253). The value of each three-digit number separated by dots should not exceed 255 as shown in the screen below.

Parameter Selector



Use this feature to select the parameter of your IP Address configuration.

IP Address

The BIOS will automatically enter the IP address of this machine; however it may be over-ridden. IP addresses are 6 two-digit hexadecimal numbers (Base 16, 0 ~ 9, A, B, C, D, E, F) separated by dots. (i.e., 00.30.48.D0.D4.60).

Current IP Address in BMC

This item displays the current IP address used for your IPMI connection.

► MAC Address Configuration

Enter the Mac address for this machine. This should be in decimal and in dotted quad form (i.e., 192.168.10.253). The value of each three-digit number separated by dots should not exceed 255 as shown in the screen below.

Parameter Selector

Use this feature to select the parameter of your Mac Address configuration.

Mac Address

The BIOS will automatically enter the Mac address of this machine; however it may be over-ridden. Mac addresses are 6 two-digit hexadecimal numbers (Base 16, 0 ~ 9, A, B, C, D, E, F) separated by dots. (i.e., 00.30.48.D0.D4.60).

Current Mac Address in BMC

This item displays the current Mac address used for your IPMI connection.

► Subnet Mask Configuration

Subnet masks tell the network which subnet this machine belongs to. The value of each three-digit number separated by dots should not exceed 255.

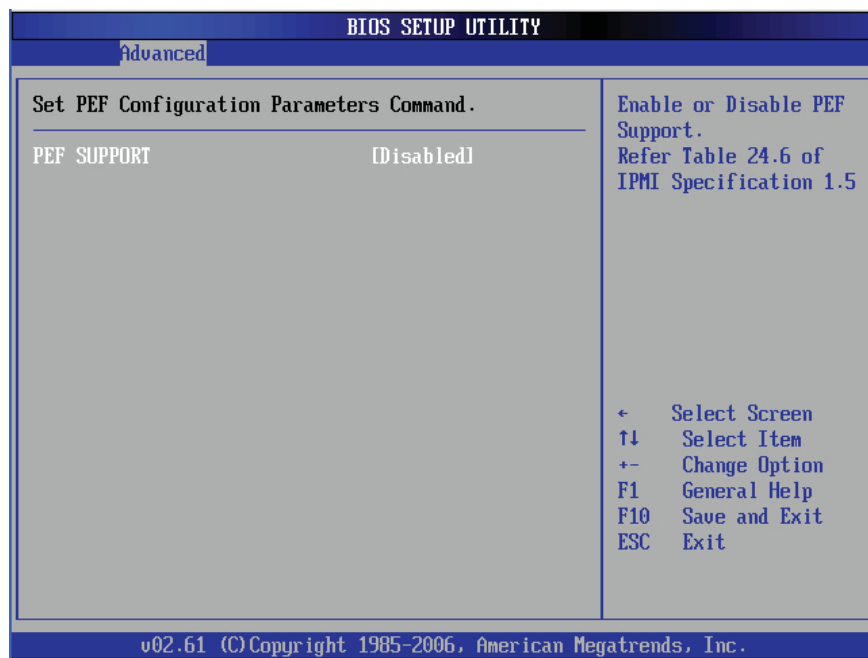
Parameter Selector

Use this feature to select the parameter of your Subnet Masks configuration.

Subnet Masks

This item displays the current subnet masks setting for your IPMI connection.

► SEL PEF Configuration



Set PEF Configuration

Set this feature to configure the Platform Event Filter (PEF). PEF interprets BMC events and performs actions based on pre-determined settings or 'traps' under IPMI 1.5 specifications. For example, powering the system down or sending an alert when a triggering event is detected.

The following will appear if PEF Support is set to Enabled. The default is **Disabled**.

PEF Action Global Control - These are the different actions based on BMC events. The options are **Alert**, Power Down, Reset System, Power Cycle, OEM Action, Diagnostic Interface.

Alert Startup Delay - This feature inserts a delay during startup for PEF alerts. The options are Enabled and **Disabled**.

PEF Alert Startup Delay - This sets the pre-determined time to delay PEF alerts after system power-ups and resets. Refer to Table 24.6 of the IPMI 1.5

Specification for more information at www.intel.com. The options are **No Delay**, 30 sec, 60 sec, 1.5 min, 2.0 min.

Startup Delay - This feature enables or disables startup delay. The options are Enabled and **Disabled**.

PEF Startup Delay - This sets the pre-determined time to delay PEF after system power-ups and resets. Refer to Table 24.6 of the IPMI 1.5 Specification for more information at www.intel.com. The options are **No Delay**, 30 sec, 60 sec, 1.5 min, 2.0 min.

Event Message for PEF Action - This enables or disables Event Messages for PEF action. Refer to Table 24.6 of the IPMI 1.5 Specification for more information at www.intel.com. The options are **Disabled** and Enabled.

BMC Watch Dog Timer Action

Allows the BMC to reset or power down the system if the operating system hangs or crashes. The options are **Disabled**, Reset System, Power Down, Power Cycle.

BMC Watch Dog TimeOut [Min:Sec]

This option appears if BMC Watch Dog Timer Action (above) is enabled. This is a timed delay in minutes or seconds, before a system power down or reset after an operating system failure is detected. The options are **[5 Min]**, [1 Min], [30 Sec], and [10 Sec].

► DMI Event Log

View Event Log

Use this option to view the System Event Log.

Mark all events as read

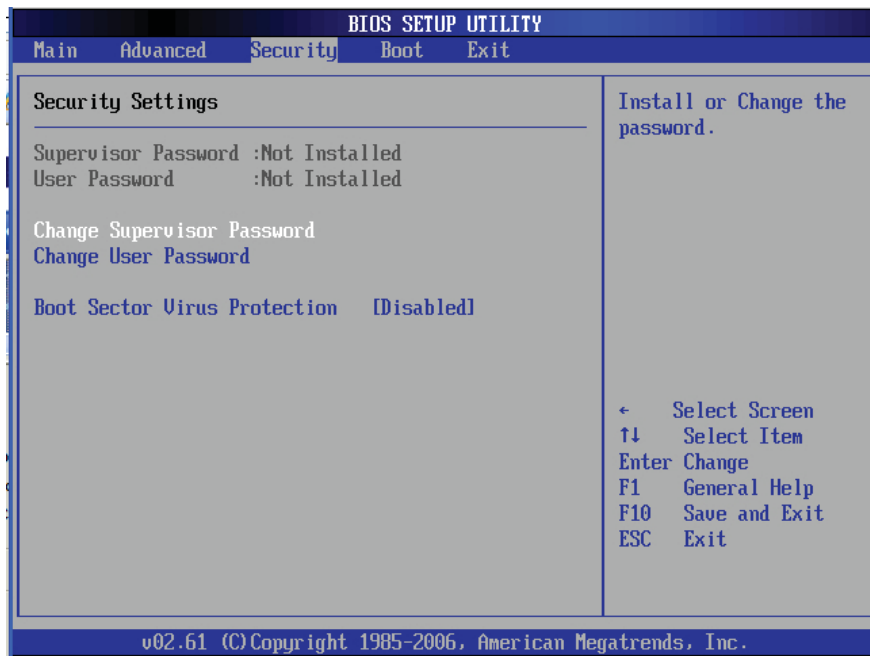
This option marks all events as read. The options are OK and Cancel.

Clear event log

This option clears the Event Log memory of all messages. The options are OK and **Cancel**.

7-4 Security Settings

The AMI BIOS provides a Supervisor and a User password. If you use both passwords, the Supervisor password must be set first.



Supervisor Password

This item indicates if a supervisor password has been entered for the system. Clear means such a password has not been used and Set means a supervisor password has been entered for the system.

User Password:

This item indicates if a user password has been entered for the system. Clear means such a password has not been used and Set means a user password has been entered for the system.

Change Supervisor Password

Select this feature and press <Enter> to access the submenu, and then type in a new Supervisor Password.

User Access Level (Available when Supervisor Password is set as above)

Available options are **Full Access**: grants full User read and write access to the Setup Utility, **View Only**: allows access to the Setup Utility but the fields cannot be changed, **Limited**: allows only limited fields to be changed such as Date and Time, **No Access**: prevents User access to the Setup Utility.

Change User Password

Select this feature and press <Enter> to access the submenu , and then type in a new User Password.

Clear User Password (Available only if User Password has been set)

This item allows you to clear a user password after it has been entered.

Password Check

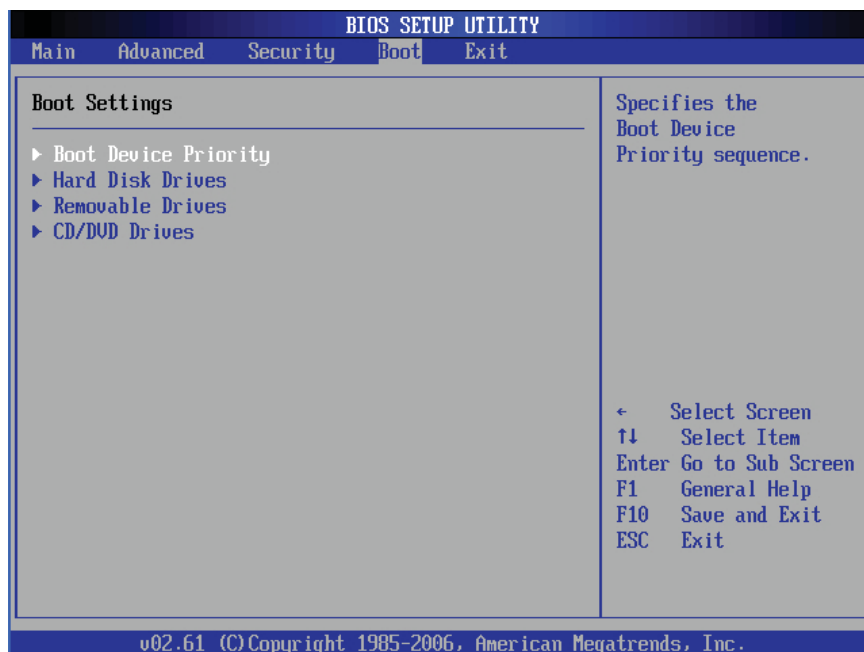
This item allows you to check a password after it has been entered. The options are **Setup** and Always.

Boot Sector Virus Protection

When Enabled, the AMI BOIS displays a warning when any program (or virus) issues a Disk Format command or attempts to write to the boot sector of the hard disk drive. The options are Enabled and **Disabled**.

7-5 Boot Configuration

Use this feature to configure boot settings.

**▶ Boot Device Priority**

This feature allows the user to specify the sequence of priority for the Boot Device. The settings are 1st boot device, 2nd boot device, 3rd boot device, 4th boot device, 5th boot device and Disabled.

- 1st Boot Device - [USB: XXXXXXXXXX]
- 2nd Boot Device - [CD/DVD: XXXXXXXXXX]

► Hard Disk Drives

This feature allows the user to specify the boot sequence from all available hard disk drives. The settings are Disabled and a list of all hard disk drives that have been detected (i.e., 1st Drive, 2nd Drive, 3rd Drive, etc).

- 1st Drive - [SATA: XXXXXXXXXX]

► Removable Drives

This feature allows the user to specify the boot sequence from available Removable Drives. The settings are 1st boot device, 2nd boot device, and Disabled.

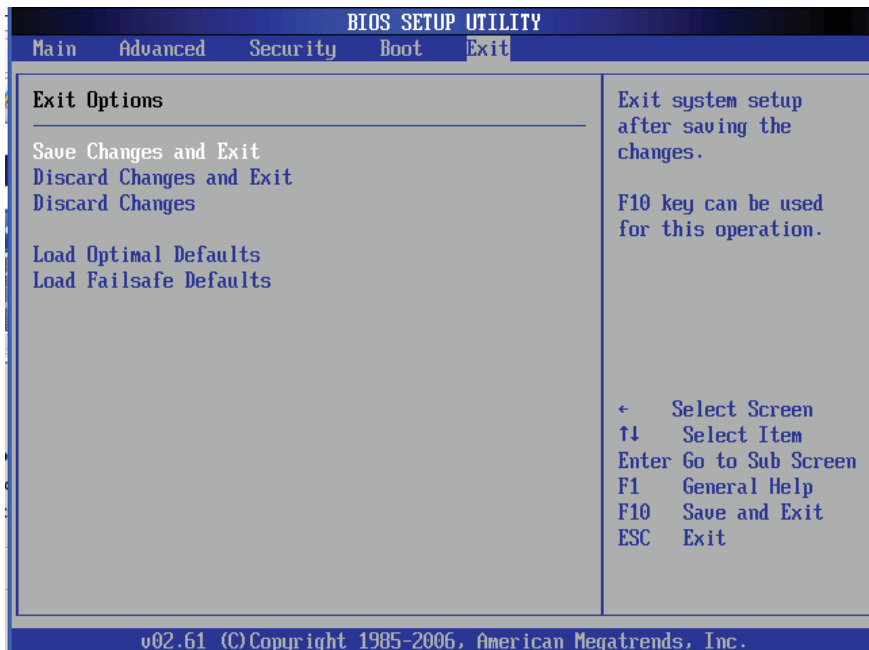
- 1st Drive - [USB: XXXXXXXXXX]
- 2nd Drive

► CD/DVD Drives

This feature allows the user to specify the boot sequence from available CD/DVD Drives (i.e., 1st Drive, 2nd Drive, etc).

7-6 Exit Options

Select the Exit tab from the AMI BIOS Setup Utility screen to enter the Exit BIOS Setup screen.



Save Changes and Exit

When you have completed the system configuration changes, select this option to leave the BIOS Setup Utility and reboot the computer, so the new system configuration parameters can take effect. Select Save Changes and Exit from the Exit menu and press <Enter>.

Discard Changes and Exit

Select this option to quit the BIOS Setup without making any permanent changes to the system configuration, and reboot the computer. Select Discard Changes and Exit from the Exit menu and press <Enter>.

Discard Changes

Select this option and press <Enter> to discard all the changes and return to the AMI BIOS Utility Program.

Load Optimal Defaults

To set this feature, select Load Optimal Defaults from the Exit menu and press <Enter>. Then, select OK to allow the AMI BIOS to automatically load Optimal Defaults to the BIOS Settings. The Optimal settings are designed for maximum system performance, but may not work best for all computer applications.

Load Fail-Safe Defaults

To set this feature, select Load Fail-Safe Defaults from the Exit menu and press <Enter>. The Fail-Safe settings are designed for maximum system stability, but not for maximum performance.

Notes

Appendix A

BIOS Error Beep Codes

During the POST (Power-On Self-Test) routines, which are performed each time the system is powered on, errors may occur.

Non-fatal errors are those which, in most cases, allow the system to continue the boot-up process. The error messages normally appear on the screen.

Fatal errors are those which will not allow the system to continue the boot-up procedure. If a fatal error occurs, you should consult with your system manufacturer for possible repairs.

A-1 BIOS Error Beep Codes

| BIOS Error Beep Codes | | |
|---|---------------------------------|--|
| Beep Code | Error Message | Description |
| 1 beep | Refresh | Circuits have been reset. (Ready to power up) |
| 5 short beeps + 1 long beep | Memory error | No memory detected in the system |
| 8 beeps | Display memory read/write error | Video adapter missing or with faulty memory |
| 1 continuous beep (with the front panel OH LED on) | System Overheat | 1 continuous beep with the front panel OH LED on |

Notes

Appendix B

Installing the Windows OS

After all hardware components have been installed, you must first configure Intel South Bridge RAID Settings before you install the Windows OS and other software drivers. To configure RAID settings, please refer to RAID Configuration User Guides posted on our web site at www.supermicro.com/support/manuals.

B-1 Installing Windows for a RAID System

1. Insert Microsoft's Windows XP/2003 Setup CD in the CD drive and the system will start booting up from CD.
2. Press the <F6> key when the message "Press F6 if you need to install a third party SCSI or RAID driver" displays.
3. When the Windows XP/2003 Setup screen appears, press "S" to specify additional device(s).
4. Insert the driver diskette-"Intel AA RAID XP/2000/2003 Driver for ICH10R" into the floppy drive and press the <Enter> key.
5. Choose the Intel(R) ICH10R *SATA RAID Controller* from the list indicated in the XP/2003 Setup Screen, and press the <Enter> key.
6. Press the <Enter> key to continue the installation process. (If you need to specify any additional devices to be installed, do it at this time.) Once all devices are specified, press the <Enter> key to continue with the installation.
7. From the Windows XP/2003 Setup screen, press the <Enter> key. The XP/2003 Setup will automatically load all device files and then, continue the Windows XP/2003 installation.
8. After the Windows XP/2003 OS Installation is completed, the system will automatically reboot.

B-2 Installing Windows for a Non-RAID System

1. Insert Microsoft's Windows XP/2003 Setup CD in the CD drive and the system will start booting up from CD.
2. Continue with the OS installation. The Windows OS Setup screen will display.
3. From the Windows XP/2003 Setup screen, press the <Enter> key. The XP/2003 Setup will automatically load all device files and then continue with the Windows XP/2003 installation.
4. After the Windows XP/2003 OS Installation is completed, the system will automatically reboot.
5. Insert the Supermicro Setup CD that came with your motherboard into the CD Drive during system boot, and the main screen will display.

Appendix C

System Specifications

Note: unless noted specs apply to a complete system (both serverboards).

Processors

Four Intel® 5600/5500 Series processors in LGA1366 sockets

Note: please refer to our website for details on supported processors.

Chipset

Intel 5520/ICH10R (Intel 5500 North Bridge available for OEM only)

BIOS

32 Mb AMI SPI Flash ROM

Memory Capacity

Twelve 240-pin DIMM sockets that can support up to 192 GB of registered ECC DDR3-1333/1066/800 SDRAM or 96 GB of unbuffered ECC/non-ECC DDR3-1333/1066/800 SDRAM

Note: interleaved memory requires DIMMs to be installed in pairs - refer to Section 5-6 for details.

Serial ATA Controller

Intel ICH10R on-chip controller to support six 3 Gb/s Serial ATA (RAID 0, 1)

SATA Drive Bays

Four (4) hot-swap drive bays to house four (4) standard SATA drives

PCI Expansion

Two (2) low-profile PCI-Express x16 slots (with pre-installed riser cards)

Serverboard

6016TT-TF: X8DTT-F

6016TT-IBXF: X8DTT-IBXF

6016TT-IBQF: X8DTT-IBQF

Dimensions (all): 6.5 x 16.4 in (165 x 417 mm)

Chassis

SC808T-1200B (1U Rackmount)

Dimensions: (WxHxD) 17.2 x 1.7 x 27.75 in. (437 x 43 x 705 mm)

Weight

Gross Weight: 40 lbs. (18.2 kg.)

System Cooling

Six (6) high-performance 4-cm PWM (Pulse Width Modulated) fans

System Input Requirements

AC Input Voltage: 100 - 240V AC auto-range

Rated Input Current: 13 - 4A max

Rated Input Frequency: 50 to 60 Hz

Power Supply

Rated Output Power: 1200W (Part# PWS-1K21P-1R)

Rated Output Voltages: +12V (100A @ 240V, 83A @ 100V), +5Vsb (6A @ 240V, 4A @ 100V)

Operating Environment

Operating Temperature: 10° to 35° C (50° to 95° F)

Non-operating Temperature: -40° to 70° C (-40° to 158° F)

Operating Relative Humidity: 20% to 95% (non-condensing)

Non-operating Relative Humidity: 5 to 95% (non-condensing)

Regulatory Compliance

Electromagnetic Emissions: FCC Class A, EN 55022 Class A, EN 61000-3-2/-3-3, CISPR 22 Class A

Electromagnetic Immunity: EN 55024/CISPR 24, (EN 61000-4-2, EN 61000-4-3, EN 61000-4-4, EN 61000-4-5, EN 61000-4-6, EN 61000-4-8, EN 61000-4-11)

Safety: CSA/EN/IEC/UL 60950-1 Compliant, UL or CSA Listed (USA and Canada), CE Marking (Europe)

California Best Management Practices Regulations for Perchlorate Materials:

This Perchlorate warning applies only to products containing CR (Manganese Dioxide) Lithium coin cells. "Perchlorate Material-special handling may apply. See www.dtsc.ca.gov/hazardouswaste/perchlorate"

Notes

(continued from front)

The products sold by Supermicro are not intended for and will not be used in life support systems, medical equipment, nuclear facilities or systems, aircraft, aircraft devices, aircraft/emergency communication devices or other critical systems whose failure to perform be reasonably expected to result in significant injury or loss of life or catastrophic property damage. Accordingly, Supermicro disclaims any and all liability, and should buyer use or sell such products for use in such ultra-hazardous applications, it does so entirely at its own risk. Furthermore, buyer agrees to fully indemnify, defend and hold Supermicro harmless for and against any and all claims, demands, actions, litigation, and proceedings of any kind arising out of or related to such ultra-hazardous use or sale.