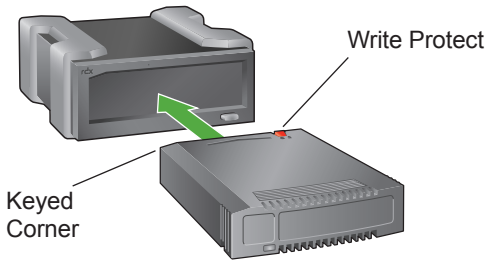


Handling Cartridges

Although the RDX cartridges are ruggedly built they must be handled with care to ensure data integrity and long life.

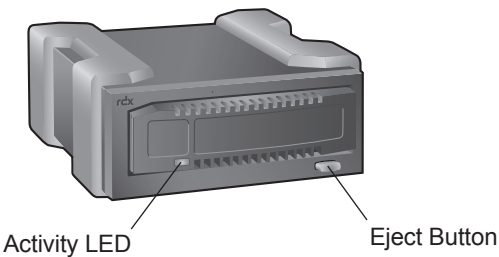


Loading the Cartridges



Insert the cartridge in the unit with the keyed corner facing the upper left corner of the unit and the write protect tab on the back right. The cartridge only fits in one orientation. Push the cartridge gently into the unit until it is locked in place with a clicking sound.

Unloading the Cartridges



Wait until the cartridge Activity LED is off. Then push the Eject Button. When the cartridge has been ejected, grasp the exposed sides of the cartridge and pull the cartridge out. Store in its container.

Eject Button/Power LED

The Eject Button is illuminated by a Power LED. The table describes the operation of this LED:

LED Status	Meaning	Description
Off	No Power	Unit does not have power
On Green	Ready	Power is On and the unit is working properly
Blinking Green	Ejecting	Unit is rejecting the cartridge
On Amber	Fault	Unit has detected a fault condition. For more information, run a diagnostic application
Blinking Amber	Prevent	Host computer is accessing the media and the user has pressed the Eject Button. The unit will eject the cartridge after the Host access completes

Activity LED

The Activity LED displays current cartridge status. The table describes the operation of this LED:

LED Status	Meaning	Description
On Green	Ready	Cartridge is ready
Blinking Green	Activity	Reading, writing, seeking
On Amber	Fault	Unit has detected a cartridge fault condition. For more information, run a diagnostic application

Product Registration

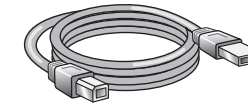
Register this product at www.tandbergdata.com/register

www.tandbergdata.com

External USB version

rdx® QUIKSTOR® Quick Start Guide

Check Your Accessory Kit Contents



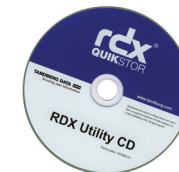
USB Cable



PSU
w/powersockets x 4



Backup Exec®
Quick Start Edition

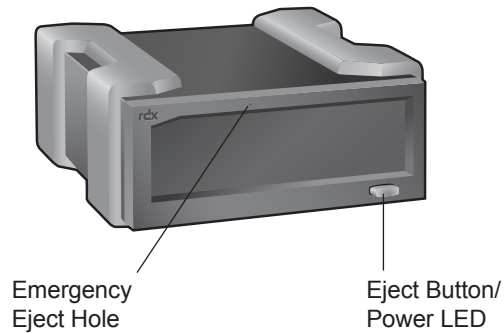


RDX Utility CD

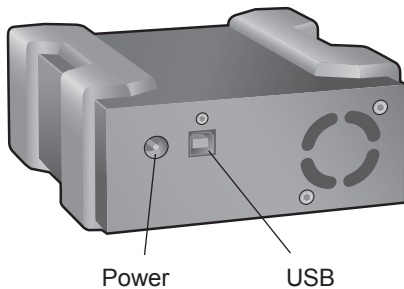


Warranty Card

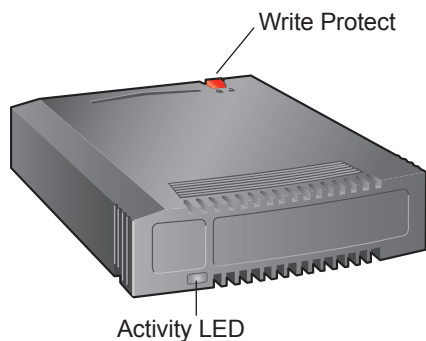
RDX System Features



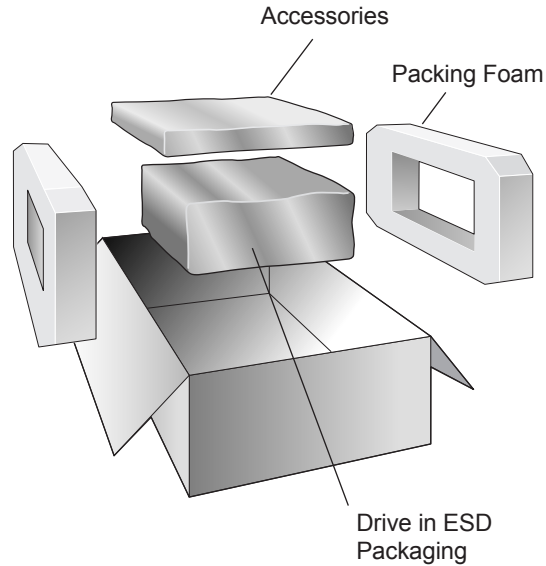
Rear View of the RDX System



RDX Cartridge Features



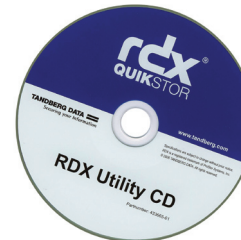
1 Unpacking the Unit



After removing the drive and accessories, carefully place it on a flat work surface, top up.

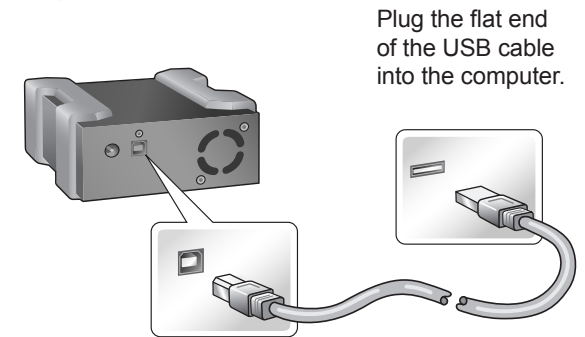
2 Installing the Software

Install the software supplied in your RDX Utility CD.

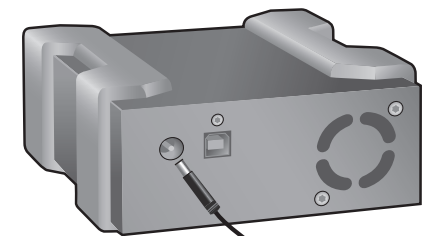


! Caution: If the RDX software is not installed under Windows® the eject button and right-click eject method may not work properly.

3 Connecting the USB cable



4 Connecting the Units



Plug the rounded end of the AC adapter into the drive.

Plug the AC adapter into a power outlet utilizing the correct power socket.



Choose the plug for your region

