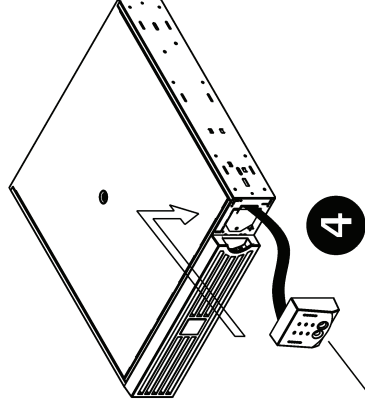
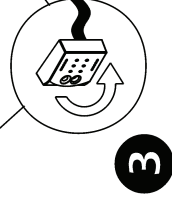
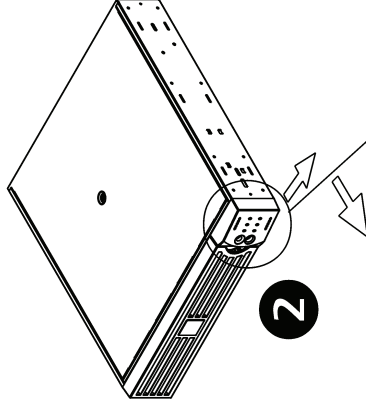
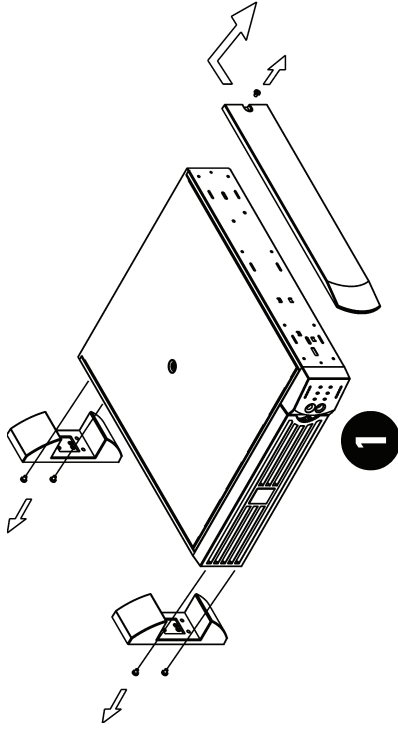



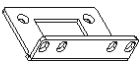
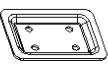








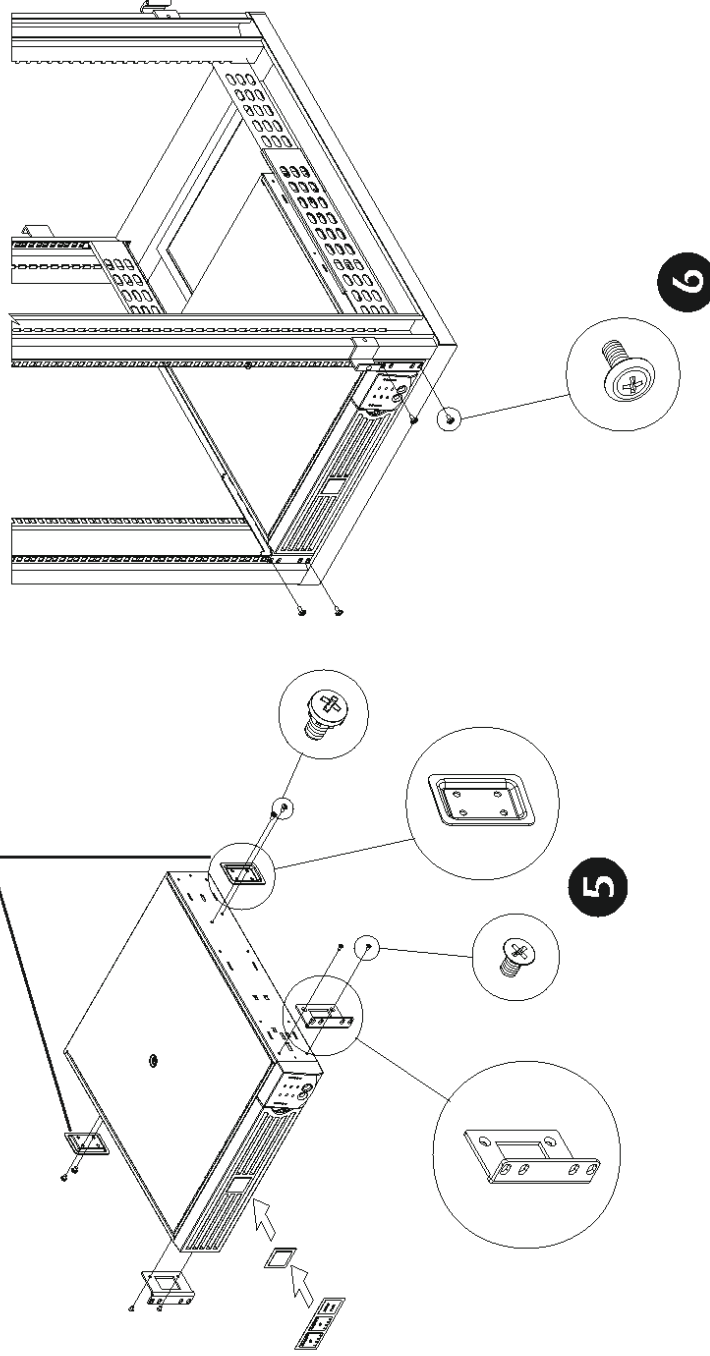
For units purchased in tower configuration, begin here. For units purchased in rack-mount configuration, begin with step **5** on the next page.



If using a rack-mount configuration, begin here. **NOTE: Cleats will be factory installed on units purchased for rack-mount configuration.**

	4
	4
	4
	2
	2
  	1
  	1

Cleats



Entire contents copyright 2007 by American Power Conversion Corporation. All rights reserved. Reproduction in whole or in part without permission is prohibited. APC and the APC logo are registered trademarks of American Power Conversion Corporation. All other trademarks are the property of their respective owners.