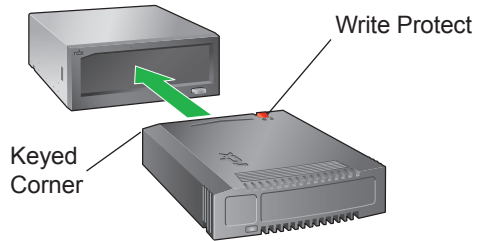


Handling Cartridges



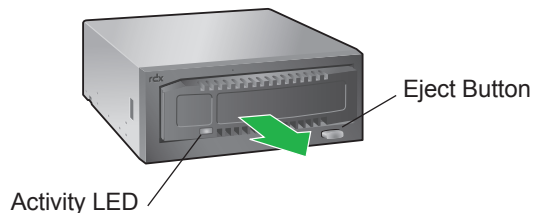
Although the RDX cartridges are ruggedly built they must be handled with care to ensure data integrity and long life.

Loading the Cartridges



Insert the cartridge in the unit with the keyed corner facing the upper left corner of the unit and the write protect tab on the back right. The cartridge only fits in one orientation. Push the cartridge gently into the unit until it is locked in place with a clicking sound.

Unloading the Cartridges



Wait until the cartridge Activity LED is off. Then push the Eject Button. When the cartridge has been ejected, grasp the exposed sides of the cartridge and pull the cartridge out. Store in its container.

Eject Button/Power LED

The Eject Button is illuminated by a Power LED. The table describes the operation of this LED:

| LED Status | Meaning | Description |
|----------------|----------|---|
| Off | No Power | Unit does not have power |
| On Green | Ready | Power is On and the unit is working properly |
| Blinking Green | Ejecting | Unit is rejecting the cartridge |
| On Amber | Fault | Unit has detected a fault condition. For more information, run a diagnostic application |
| Blinking Amber | Prevent | Host computer is accessing the media and the user has pressed the Eject Button. The unit will eject the cartridge after the Host access completes |

Activity LED

The Activity LED displays current cartridge status. The table describes the operation of this LED:

| LED Status | Meaning | Description |
|----------------|----------|---|
| On Green | Ready | Cartridge is ready |
| Blinking Green | Activity | Reading, writing, seeking |
| On Amber | Fault | Unit has detected a cartridge fault condition. For more information, run a diagnostic application |

Product Registration
Register this product at
www.tandbergdata.com/register

www.tandbergdata.com

Internal SATA version

rdx[®] QUIKSTOR Quick Start Guide

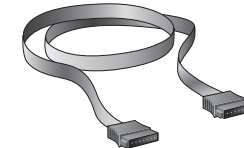
Check Your Accessory Kit Contents



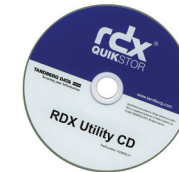
Mounting Screws:
Secure unit in standard 3.5 inch or 5.25 inch bay



Power Adapter Cable:
Provides power to the unit



SATA Data Cable:
Connects RDX unit to the host



RDX Utility CD

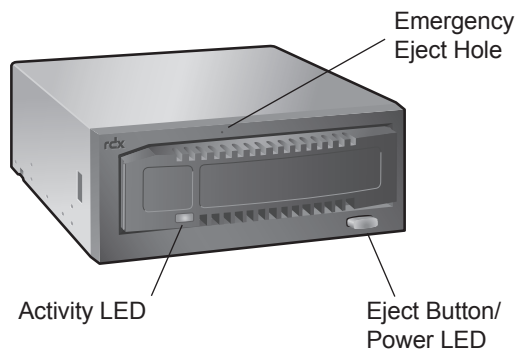


Warranty Card

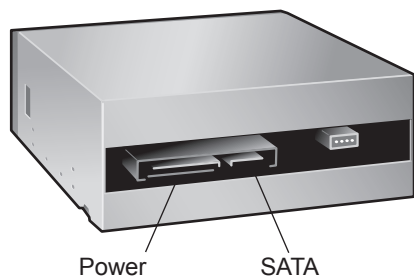


**Backup Exec
Quick Start Edition**

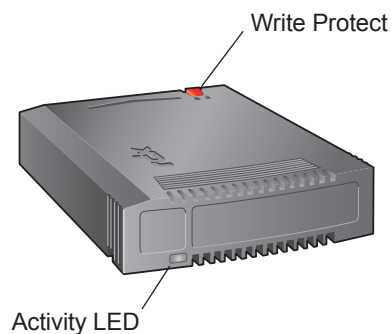
RDX System Features



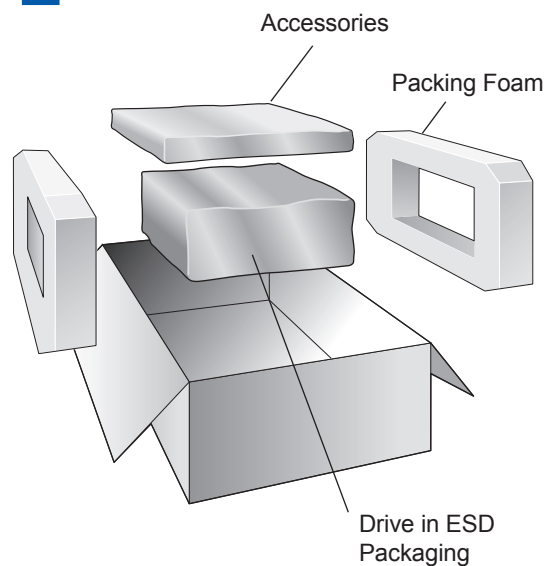
Rear View of the RDX System



RDX Cartridge Features



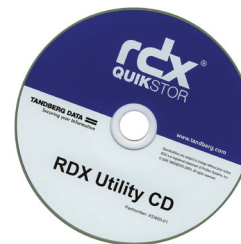
1 Unpacking the Unit



After removing the drive and accessories, carefully place it on a flat work surface, top up. Remember to always protect your unit and server from electrostatic damage.

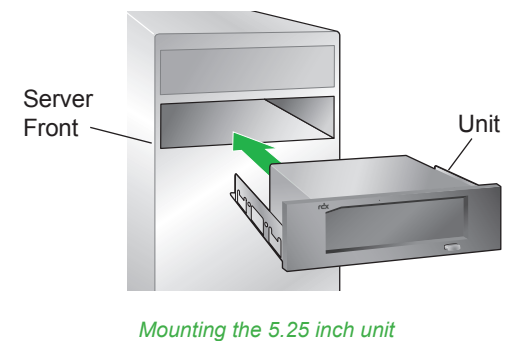
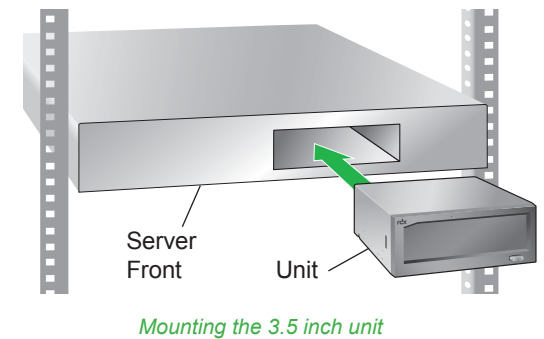
2 Installing the Software

Install the software supplied in your RDX Utility CD.



! Caution: If the RDX software is not installed under Windows® the eject button and right-click eject method may not work properly.

3 Mounting the Unit



Open the server cover. Slide the unit into an unused drive bay until the bezel is flush with the front of the server. The Eject/Power LED should be on the lower right. Secure the unit using the 4 mounting screws provided.

4 Connecting the Unit

Carefully connect the SATA cable to your system's SATA controller (built-in or PCI card). Attach the power adapter cable. Check all the cable routing and cable connections. Replace server cover. Power ratings: 5vDC/1.8A

